

FASTTRAK

Simple, Strong, Quick & Easy.

ASSEMBLY INSTRUCTIONS

WorkShop 2010

REVISION 10/15



W5915mm x D2800mm x H2085mm

NOTES

BEFORE COMMENCING SHED ASSEMBLY, CHECK ALL PARTS. IF THERE IS A DISCREPANCY, PLEASE CALL YARDSAVER (SEE REAR OF INSTRUCTION BOOK)

DO NOT ASSEMBLE IN WINDY CONDITIONS



READ INSTRUCTIONS FIRST



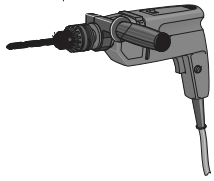
3 PERSON ASSEMBLY



THE MANUFACTURERS CANNOT BE HELD RESPONSIBLE FOR ANY CONSEQUENCES DUE TO SHEDS THAT ARE NOT INSTALLED PER INSTRUCTIONS OR FOR DAMAGE DUE TO WEATHER CONDITIONS, ACTS OF GOD OR FOR SHEDS THAT ARE LEFT PARTIALLY ASSEMBLED OVERNIGHT. PARTS MAY CONTAIN SHARP EDGES & CORNERS. CARE MUST BE TAKEN WHEN HANDLING VARIOUS PIECES TO AVOID A MISHAP, FOR SAFETY SAKE, PLEASE USE A PAIR OF WORK GLOVES, EYE PROTECTION & PROTECTIVE CLOTHING WHEN ASSEMBLING OR PERFORMING ANY MAINTENANCE ON THE BUILDING.

Subject to changes © Spanbild Pty. Ltd.

TOOLS REQUIRED



Electric Drill



Cordless Drill



Measuring Tape



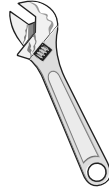
Screwdrivers



8mm Masonry Drill Bit



6mm Drill Bit



Shifting Spanner



Builders Pencil



Tin Snips
(some models only)



Sturdy Ladder
(two if possible)



Gloves

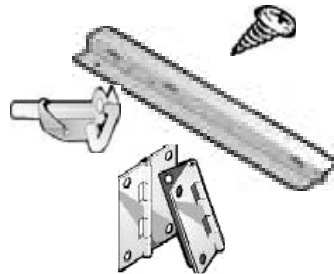
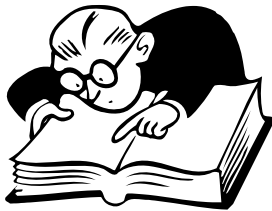


Protective Eyewear

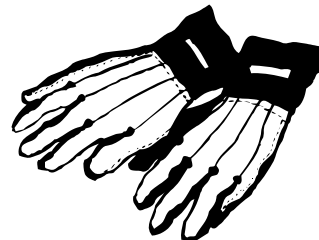


Rubber Mallet

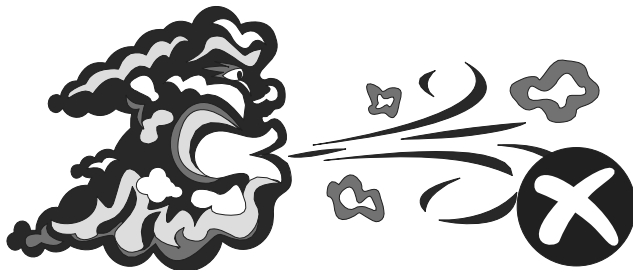
HANDY HINTS FOR CONSTRUCTION



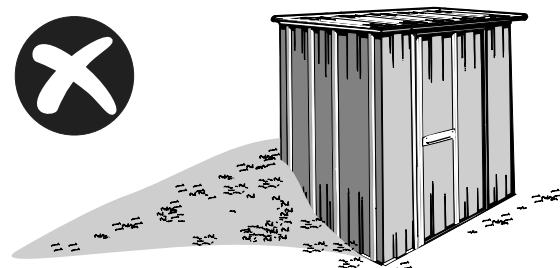
Read instructions and check parts carefully before assembling the shed.



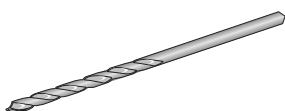
Please wear safety gloves and glasses at all times to protect against sharp metal edges.



Do not assemble in windy conditions as panels may be difficult to handle and damage may result.



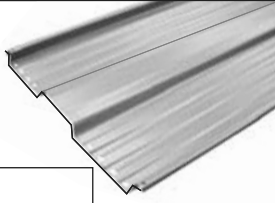
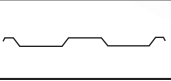
Do not back fill against the shed as this will result in corrosion. Allow drainage from the site.



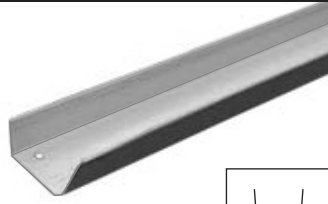
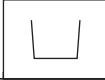
MOST PILOT HOLES ARE PRE-PUNCHED AND IN THIS CASE DRILLING HOLES IS NOT NECESSARY, HOWEVER SOME PILOT HOLES NEED TO BE DRILLED WITH THE INCLUDED 2.5MM DRILL BIT WHERE INDICATED

PARTS LIST

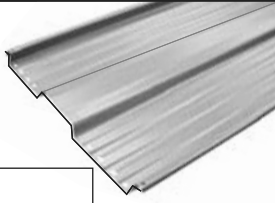
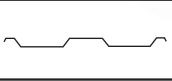
PRODUCT NUMBERS		
A1	A2	A3
A4	A5	A6
A7	A8	
Quantity (total)	8	
Description: Gable Wall Panel		

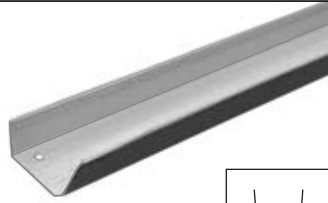
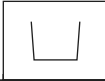
PRODUCT ID	h
Length	674mm
Quantity	4
Description: Door Frame Top/Bottom	

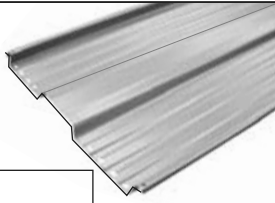
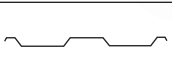
PRODUCT NUMBERS		
B1	B2	B3
B4	B5	B6
B7	B8	
Quantity (total)	8	
Description: Gable Wall Panel		

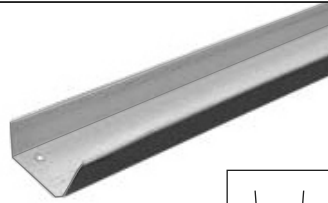
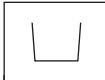
PRODUCT ID	H
Length	1008mm
Quantity	2
Description: Door Frame Top/Bottom	

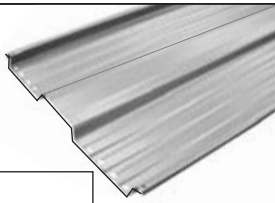
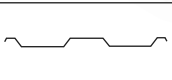
PRODUCT ID	C
Length	1800mm
Quantity	24
Description: Wall Panel	

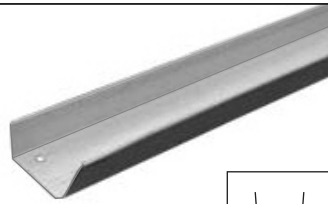
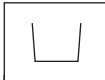
PRODUCT ID	I
Length	1742mm
Quantity	6
Description: Door Frame Side	

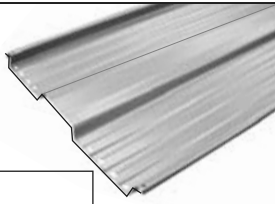
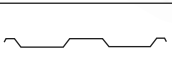
PRODUCT ID	D
Length	1800mm
Quantity	3
Description: Wall Corner Panels	


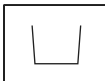
PRODUCT ID	J
Length	1706mm
Quantity	6
Description: Door Boxing	

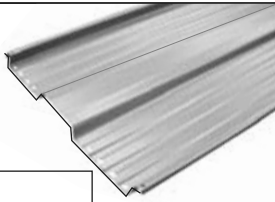
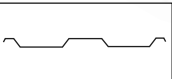
PRODUCT ID	E
Length	1454mm
Quantity	34
Description: Roof Panels	


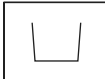
PRODUCT ID	k
Length	1040mm
Quantity	4
Description: Door Bracing	

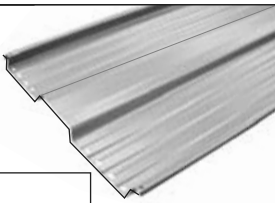
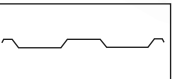
PRODUCT ID	F
Length	1738mm
Quantity	6
Description: Door Panel (Partially Slit)	

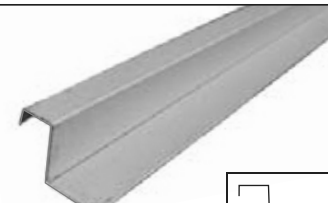
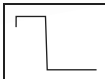
PRODUCT ID	K
Length	1280mm
Quantity	2
Description: Door Bracing	

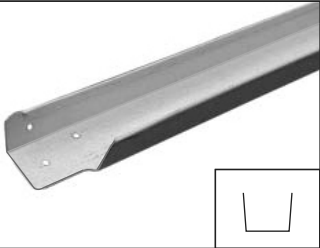

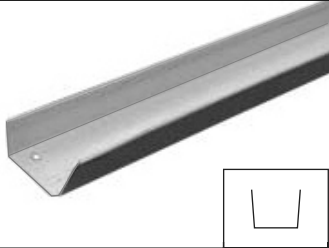
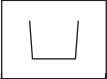
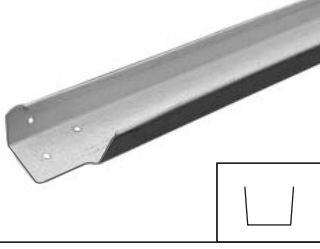
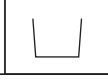
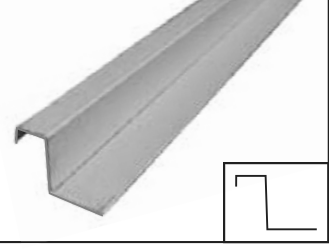
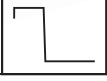
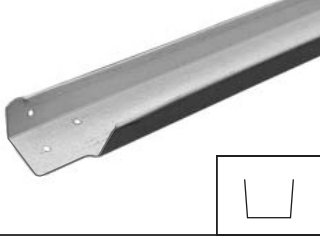
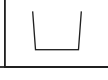
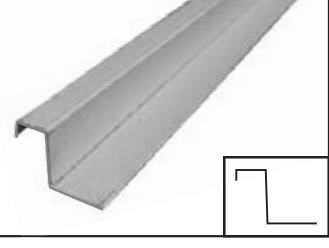
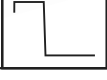
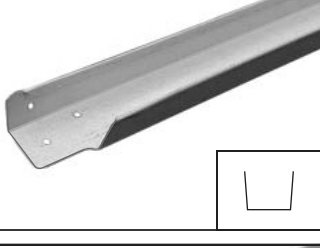
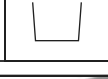
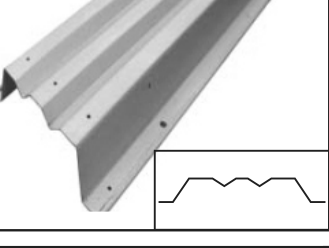
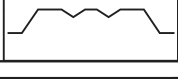
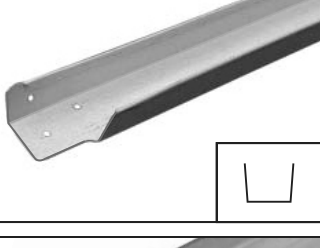

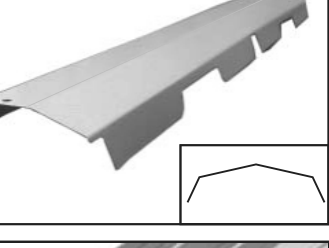

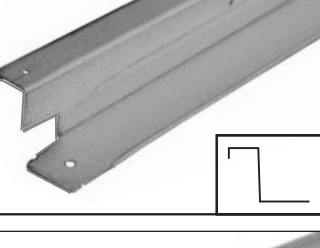

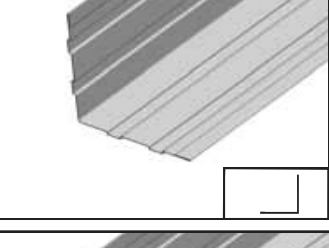

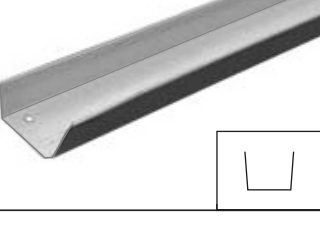
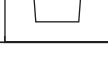
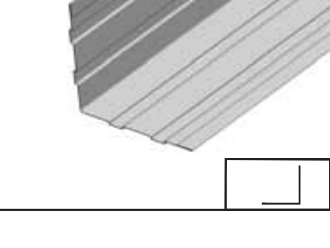

PRODUCT ID	G
Length	1738mm
Quantity	1
Description: Door Panel Centre	

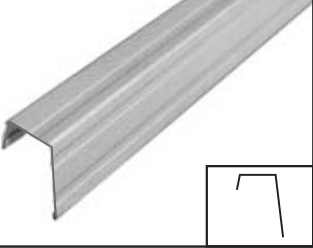

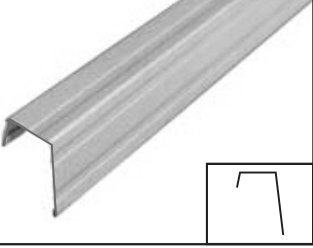

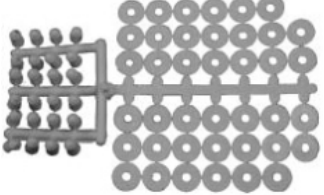



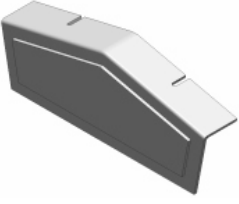

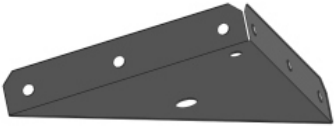



PRODUCT ID	L
Length	1706mm
Quantity	1
Description: Door Seal	


PARTS LIST


<table border="1"> <tr> <td>PRODUCT ID</td> <td>M</td> </tr> <tr> <td>Length (spliced)</td> <td>3267mm =(1460 + 1807)</td> </tr> <tr> <td>Quantity</td> <td>4 Sets</td> </tr> <tr> <td colspan="2">Description: Top/Bottom Front/Rear Channel</td> </tr> </table>  	PRODUCT ID	M	Length (spliced)	3267mm =(1460 + 1807)	Quantity	4 Sets	Description: Top/Bottom Front/Rear Channel		<table border="1"> <tr> <td>PRODUCT ID</td> <td>r</td> </tr> <tr> <td>Length</td> <td>1021mm</td> </tr> <tr> <td>Quantity</td> <td>1</td> </tr> <tr> <td colspan="2">Description: Bottom Door Spacer</td> </tr> </table>  	PRODUCT ID	r	Length	1021mm	Quantity	1	Description: Bottom Door Spacer	
PRODUCT ID	M																
Length (spliced)	3267mm =(1460 + 1807)																
Quantity	4 Sets																
Description: Top/Bottom Front/Rear Channel																	
PRODUCT ID	r																
Length	1021mm																
Quantity	1																
Description: Bottom Door Spacer																	
<table border="1"> <tr> <td>PRODUCT ID</td> <td>m</td> </tr> <tr> <td>Length (spliced)</td> <td>2921mm =(1460 + 1461)</td> </tr> <tr> <td>Quantity</td> <td>4 Sets</td> </tr> <tr> <td colspan="2">Description: Top/Bottom Front/Rear Channel</td> </tr> </table>  	PRODUCT ID	m	Length (spliced)	2921mm =(1460 + 1461)	Quantity	4 Sets	Description: Top/Bottom Front/Rear Channel		<table border="1"> <tr> <td>PRODUCT ID</td> <td>S</td> </tr> <tr> <td>Length</td> <td>1367mm</td> </tr> <tr> <td>Quantity</td> <td>1</td> </tr> <tr> <td colspan="2">Description: Top Door Spacer</td> </tr> </table>  	PRODUCT ID	S	Length	1367mm	Quantity	1	Description: Top Door Spacer	
PRODUCT ID	m																
Length (spliced)	2921mm =(1460 + 1461)																
Quantity	4 Sets																
Description: Top/Bottom Front/Rear Channel																	
PRODUCT ID	S																
Length	1367mm																
Quantity	1																
Description: Top Door Spacer																	
<table border="1"> <tr> <td>PRODUCT ID</td> <td>N</td> </tr> <tr> <td>Length (spliced)</td> <td>2921mm =(1461 + 1460)</td> </tr> <tr> <td>Quantity</td> <td>2 Sets</td> </tr> <tr> <td colspan="2">Description: Side Channel Gable Bottom</td> </tr> </table>  	PRODUCT ID	N	Length (spliced)	2921mm =(1461 + 1460)	Quantity	2 Sets	Description: Side Channel Gable Bottom		<table border="1"> <tr> <td>PRODUCT ID</td> <td>S1</td> </tr> <tr> <td>Length</td> <td>1021mm</td> </tr> <tr> <td>Quantity</td> <td>1</td> </tr> <tr> <td colspan="2">Description: Top Door Spacer</td> </tr> </table>  	PRODUCT ID	S1	Length	1021mm	Quantity	1	Description: Top Door Spacer	
PRODUCT ID	N																
Length (spliced)	2921mm =(1461 + 1460)																
Quantity	2 Sets																
Description: Side Channel Gable Bottom																	
PRODUCT ID	S1																
Length	1021mm																
Quantity	1																
Description: Top Door Spacer																	
<table border="1"> <tr> <td>PRODUCT ID</td> <td>O</td> </tr> <tr> <td>Length</td> <td>1411mm</td> </tr> <tr> <td>Quantity</td> <td>2</td> </tr> <tr> <td colspan="2">Description: Side Channel Gable Top</td> </tr> </table>  	PRODUCT ID	O	Length	1411mm	Quantity	2	Description: Side Channel Gable Top		<table border="1"> <tr> <td>PRODUCT ID</td> <td>T</td> </tr> <tr> <td>Length</td> <td>1710mm</td> </tr> <tr> <td>Quantity</td> <td>8</td> </tr> <tr> <td colspan="2">Description: Ridge Beam</td> </tr> </table>  	PRODUCT ID	T	Length	1710mm	Quantity	8	Description: Ridge Beam	
PRODUCT ID	O																
Length	1411mm																
Quantity	2																
Description: Side Channel Gable Top																	
PRODUCT ID	T																
Length	1710mm																
Quantity	8																
Description: Ridge Beam																	
<table border="1"> <tr> <td>PRODUCT ID</td> <td>P</td> </tr> <tr> <td>Length</td> <td>1415mm</td> </tr> <tr> <td>Quantity</td> <td>2</td> </tr> <tr> <td colspan="2">Description: Side Channel Gable Top</td> </tr> </table>  	PRODUCT ID	P	Length	1415mm	Quantity	2	Description: Side Channel Gable Top		<table border="1"> <tr> <td>PRODUCT ID</td> <td>U</td> </tr> <tr> <td>Length</td> <td>708mm</td> </tr> <tr> <td>Quantity</td> <td>9</td> </tr> <tr> <td colspan="2">Description: Ridge Cap</td> </tr> </table>  	PRODUCT ID	U	Length	708mm	Quantity	9	Description: Ridge Cap	
PRODUCT ID	P																
Length	1415mm																
Quantity	2																
Description: Side Channel Gable Top																	
PRODUCT ID	U																
Length	708mm																
Quantity	9																
Description: Ridge Cap																	
<table border="1"> <tr> <td>PRODUCT ID</td> <td>Q</td> </tr> <tr> <td>Length</td> <td>1800mm</td> </tr> <tr> <td>Quantity</td> <td>4</td> </tr> <tr> <td colspan="2">Description: Door Jamb</td> </tr> </table>  	PRODUCT ID	Q	Length	1800mm	Quantity	4	Description: Door Jamb		<table border="1"> <tr> <td>PRODUCT ID</td> <td>V</td> </tr> <tr> <td>Length</td> <td>2096mm</td> </tr> <tr> <td>Quantity</td> <td>4</td> </tr> <tr> <td colspan="2">Description: Gutter Trim</td> </tr> </table>  	PRODUCT ID	V	Length	2096mm	Quantity	4	Description: Gutter Trim	
PRODUCT ID	Q																
Length	1800mm																
Quantity	4																
Description: Door Jamb																	
PRODUCT ID	V																
Length	2096mm																
Quantity	4																
Description: Gutter Trim																	
<table border="1"> <tr> <td>PRODUCT ID</td> <td>R</td> </tr> <tr> <td>Length</td> <td>1367mm</td> </tr> <tr> <td>Quantity</td> <td>1</td> </tr> <tr> <td colspan="2">Description: Bottom Door Spacer</td> </tr> </table>  	PRODUCT ID	R	Length	1367mm	Quantity	1	Description: Bottom Door Spacer		<table border="1"> <tr> <td>PRODUCT ID</td> <td>V1</td> </tr> <tr> <td>Length</td> <td>1750mm</td> </tr> <tr> <td>Quantity</td> <td>2</td> </tr> <tr> <td colspan="2">Description: Gutter Trim</td> </tr> </table>  	PRODUCT ID	V1	Length	1750mm	Quantity	2	Description: Gutter Trim	
PRODUCT ID	R																
Length	1367mm																
Quantity	1																
Description: Bottom Door Spacer																	
PRODUCT ID	V1																
Length	1750mm																
Quantity	2																
Description: Gutter Trim																	


PARTS LIST


<table border="1"> <tr> <td>PRODUCT ID</td> <td>W</td> </tr> <tr> <td>Length</td> <td>1446mm</td> </tr> <tr> <td>Quantity</td> <td>2</td> </tr> <tr> <td colspan="2">Description: Roof Angle Trim</td> </tr> </table>	PRODUCT ID	W	Length	1446mm	Quantity	2	Description: Roof Angle Trim			<table border="1"> <tr> <td>Quantity</td> <td>16</td> </tr> <tr> <td colspan="2">Description: Nut & Bolt 3/16"</td> </tr> </table>	Quantity	16	Description: Nut & Bolt 3/16"		
PRODUCT ID	W														
Length	1446mm														
Quantity	2														
Description: Roof Angle Trim															
Quantity	16														
Description: Nut & Bolt 3/16"															
<table border="1"> <tr> <td>PRODUCT ID</td> <td>W1</td> </tr> <tr> <td>Length</td> <td>1443mm</td> </tr> <tr> <td>Quantity</td> <td>2</td> </tr> <tr> <td colspan="2">Description: Roof Angle Trim</td> </tr> </table>	PRODUCT ID	W1	Length	1443mm	Quantity	2	Description: Roof Angle Trim			<table border="1"> <tr> <td>Quantity</td> <td>2</td> </tr> <tr> <td colspan="2">Description: Ridge Beam Bracket</td> </tr> </table>	Quantity	2	Description: Ridge Beam Bracket		
PRODUCT ID	W1														
Length	1443mm														
Quantity	2														
Description: Roof Angle Trim															
Quantity	2														
Description: Ridge Beam Bracket															
<table border="1"> <tr> <td>Quantity</td> <td>3</td> </tr> <tr> <td colspan="2">Description: Plastic Washer and Screw Cap Sheet</td> </tr> </table>	Quantity	3	Description: Plastic Washer and Screw Cap Sheet			<table border="1"> <tr> <td>Quantity</td> <td>12</td> </tr> <tr> <td colspan="2">Description: Masonry Anchor</td> </tr> </table>	Quantity	12	Description: Masonry Anchor						
Quantity	3														
Description: Plastic Washer and Screw Cap Sheet															
Quantity	12														
Description: Masonry Anchor															
<table border="1"> <tr> <td>Quantity</td> <td>4</td> </tr> <tr> <td colspan="2">Description: Plastic Corner Cap</td> </tr> </table>	Quantity	4	Description: Plastic Corner Cap			<table border="1"> <tr> <td>Quantity</td> <td>2</td> </tr> <tr> <td colspan="2">Description: Door Plate</td> </tr> </table>	Quantity	2	Description: Door Plate						
Quantity	4														
Description: Plastic Corner Cap															
Quantity	2														
Description: Door Plate															
<table border="1"> <tr> <td>Quantity</td> <td>2</td> </tr> <tr> <td colspan="2">Description: Plastic Ridge End Cap</td> </tr> </table>	Quantity	2	Description: Plastic Ridge End Cap			<table border="1"> <tr> <td>Quantity</td> <td>5</td> </tr> <tr> <td colspan="2">Description: Clip Nut</td> </tr> </table>	Quantity	5	Description: Clip Nut						
Quantity	2														
Description: Plastic Ridge End Cap															
Quantity	5														
Description: Clip Nut															
<table border="1"> <tr> <td>Quantity</td> <td>8</td> </tr> <tr> <td colspan="2">Description: Corner Bracket</td> </tr> </table>	Quantity	8	Description: Corner Bracket			<table border="1"> <tr> <td>Quantity</td> <td>1</td> </tr> <tr> <td colspan="2">Description: Phillips Head Bit</td> </tr> </table>	Quantity	1	Description: Phillips Head Bit						
Quantity	8														
Description: Corner Bracket															
Quantity	1														
Description: Phillips Head Bit															
<table border="1"> <tr> <td>Quantity</td> <td>16</td> </tr> <tr> <td colspan="2">Description: 55mm Bracket</td> </tr> </table>	Quantity	16	Description: 55mm Bracket			<table border="1"> <tr> <td>Quantity</td> <td>600</td> </tr> <tr> <td colspan="2">Description: Self Tapping Screws - Silver</td> </tr> </table>	Quantity	600	Description: Self Tapping Screws - Silver						
Quantity	16														
Description: 55mm Bracket															
Quantity	600														
Description: Self Tapping Screws - Silver															

PARTS LIST

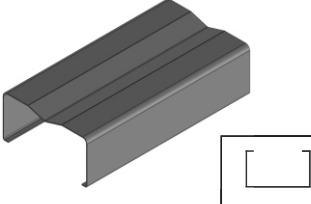
Quantity	1	
Description:	2.5mm Drill Bit	

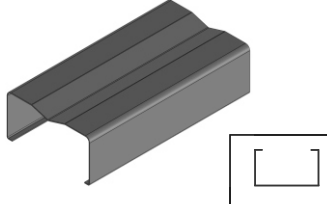
Quantity	4	
Description:	Padbolt	

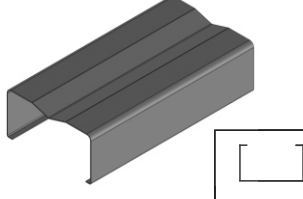
Quantity	6	
Description:	Hinges (offset)	

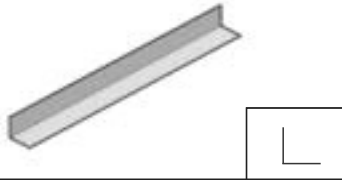
Quantity	4	
Description:	Keeper	


PORTAL FRAME - PARTS LIST


PRODUCT ID	A	
Length (spliced)	1725mm	
Quantity	4	
Description:	Portal Leg	


PRODUCT ID	C	
Length	1820mm	
Quantity	2	
Description:	Top Gusset	


PRODUCT ID	B	
Length (spliced)	1355mm	
Quantity	4	
Description:	Roof Beam	


PRODUCT ID	D	
Length	810mm	
Quantity	4	
Description:	Corner Gusset	

Quantity	4	
Description:	70x100 Plate	

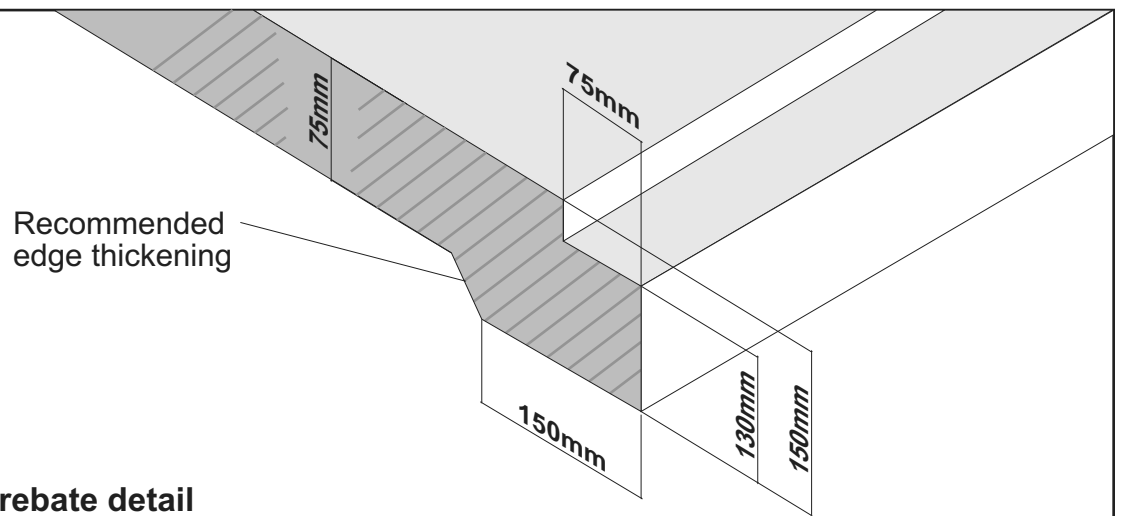
Quantity	2	
Description:	Gable Gusset Strap	

Quantity	126	
Description:	Self Drilling Tek Screw (Portal)	

PRODUCT ID	X	
Length (spliced)	2710mm =(1461 + 1460)	
Quantity	(2 x 1461) + (2 x 1460)	
Description:	Bracing channel	

Quantity	1	
Description:	Nut Runner	

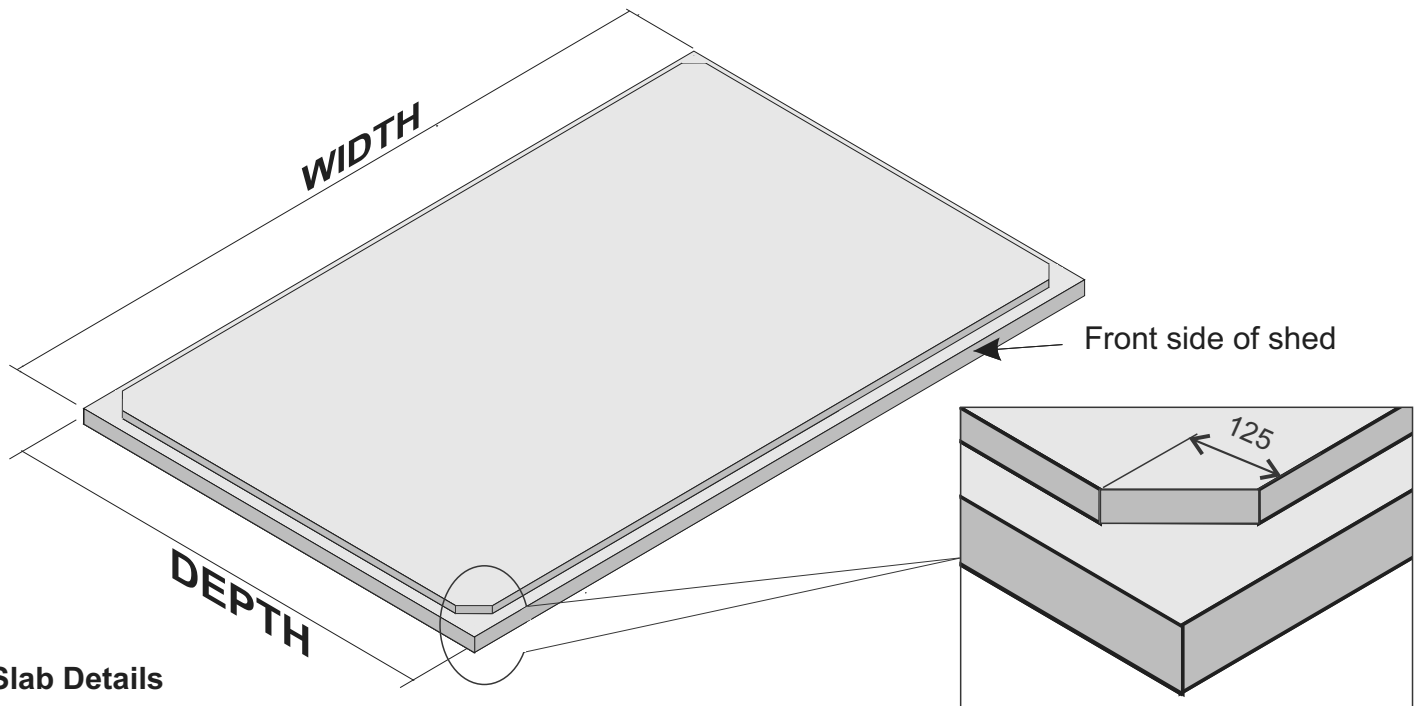
FOUNDATION



Recommended slab rebate detail

Although *not required*, it is strongly recommended that, to avoid water leakage around the base of your shed, a rebate be cast into the slab. This will allow the shed to sit below the slab level and prevent water from reaching the upper level of the slab.

If you planning a rebated slab make sure to cut the 4 corners at 125 x 45 as shown in detail below. Also cut short the length of the portal leg by 20mm.



Slab Details

Your garden shed must be erected on a solid, level and square foundation. We strongly recommend you pour a concrete slab 75mm thick, reinforced with SL62 mesh (minimum) using dimensions from the table below.

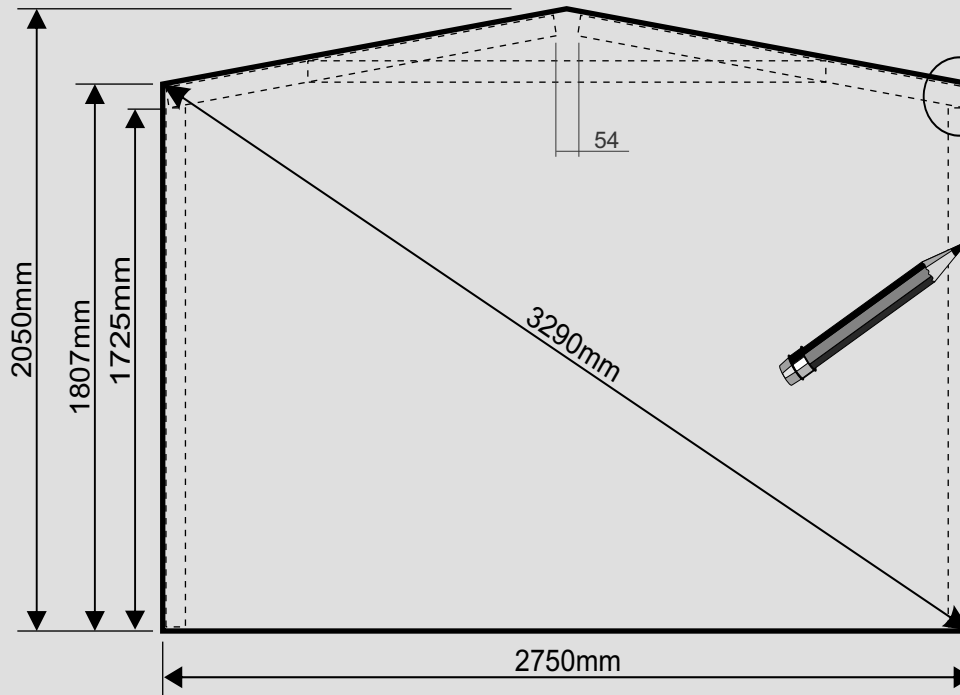
Masonry anchors are supplied

SHED CODE	OUTER SLAB SIZE width x depth	ANCHORS M8 x 40mm
WS 2010	6015mm x 2900mm	12

PORTAL FRAME ASSEMBLY

1

Mark out with pencil or chalk on the flat ground as shown

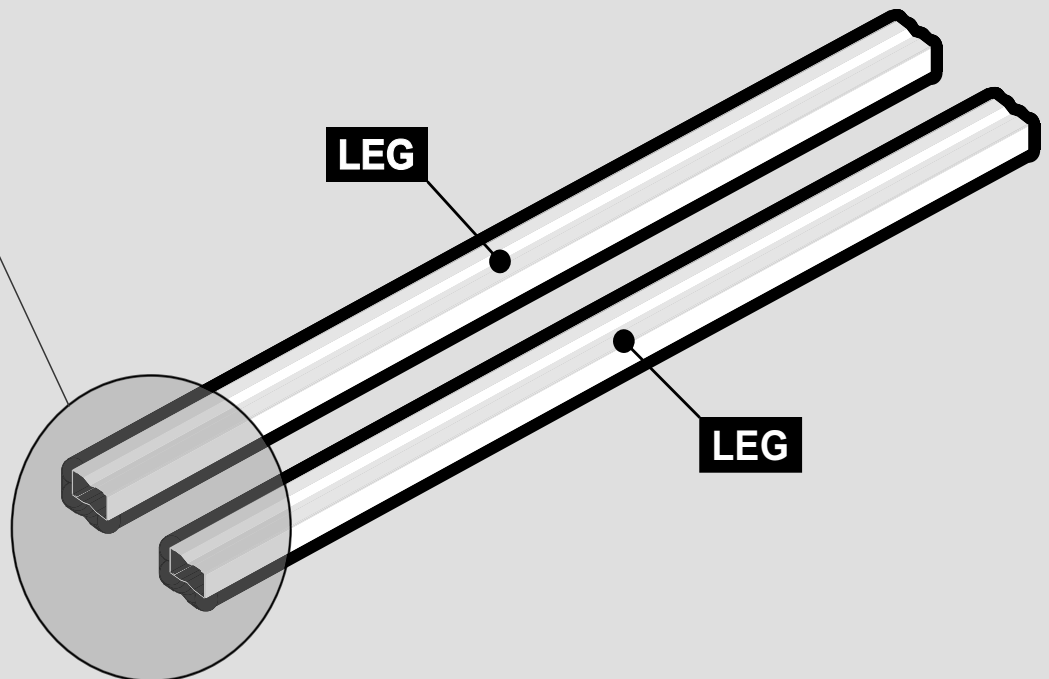
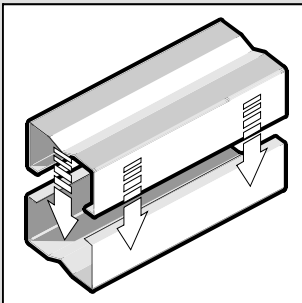


Roof beam sits on top of leg



2

All four Portal Legs are required to be boxed as shown to make 2 legs

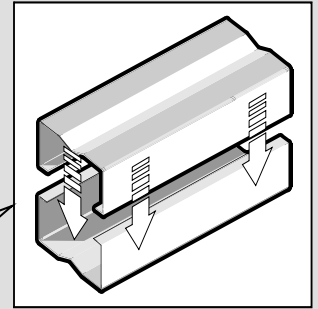


Make sure to cut 20mm (L= 1708) off, if you have a rebated slab.

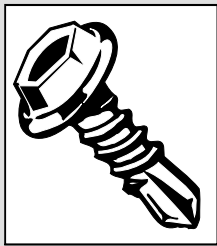
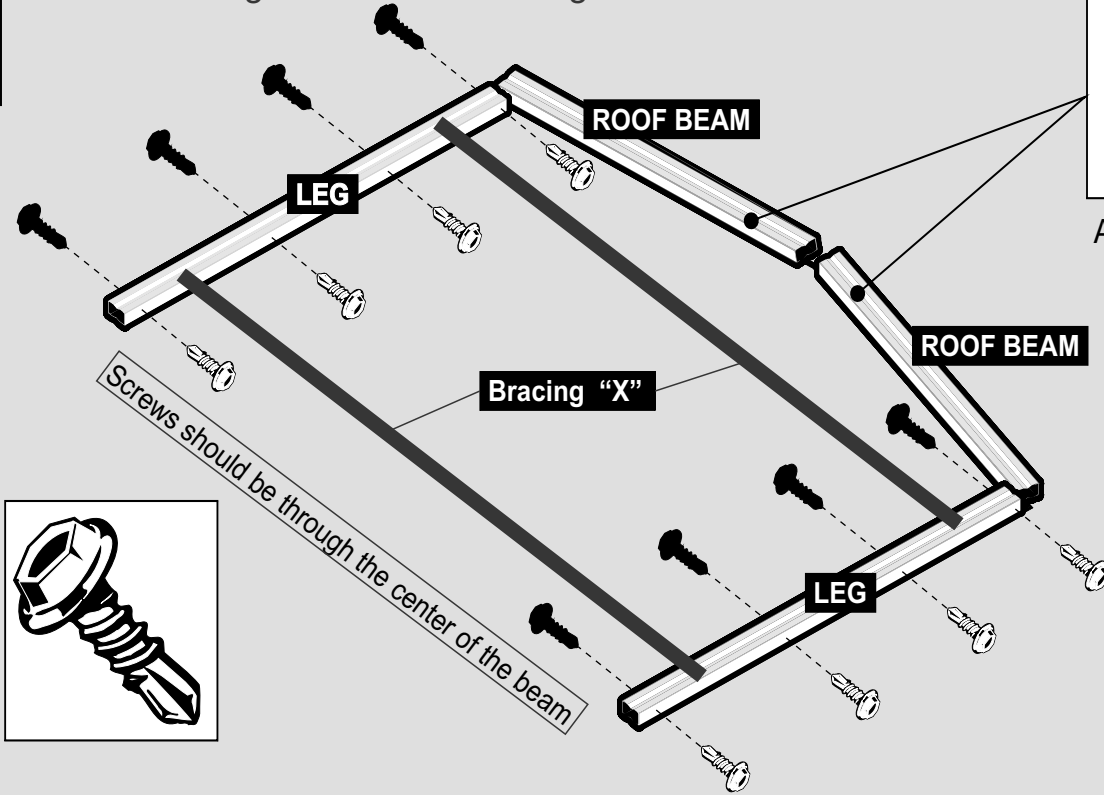
PORTAL FRAME ASSEMBLY

3

Screw the boxed legs together using the Tek Screws (portal)
Use bracing channel "X" to temporarily hold it in place.
Join the bracing channels to the length of 2710mm.



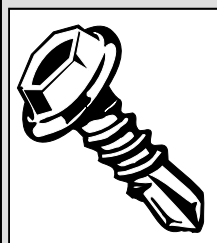
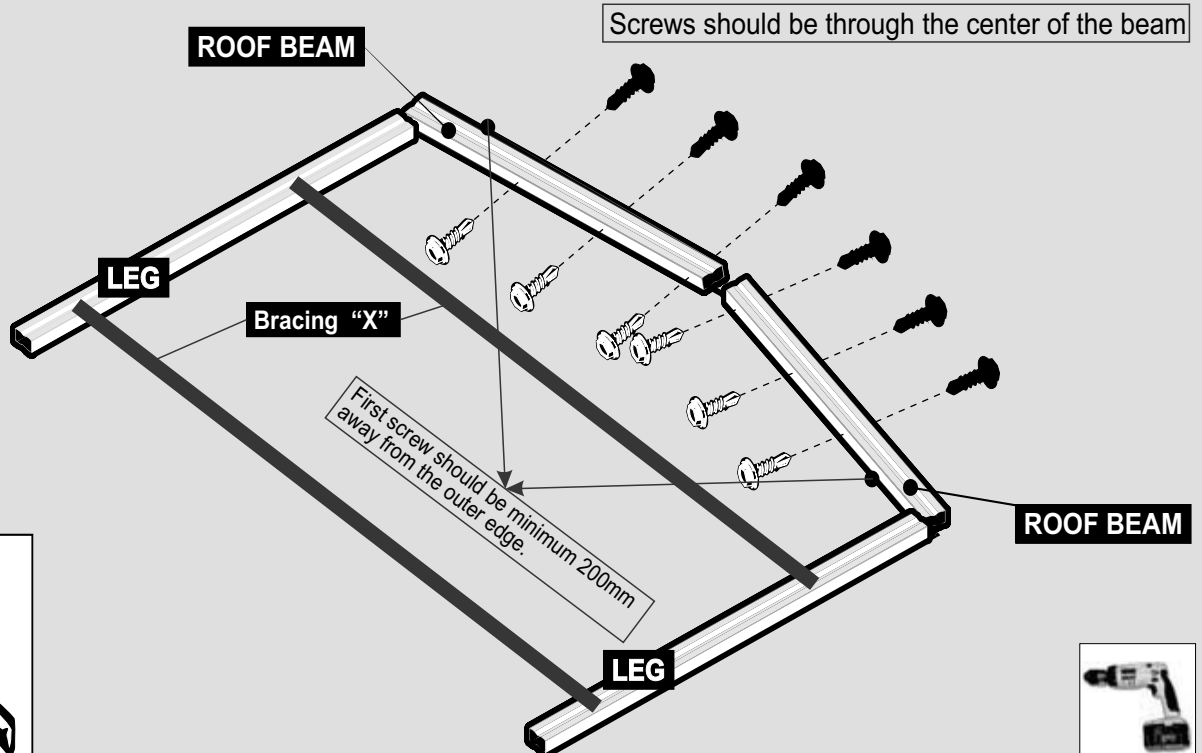
All four Roof Beams are required to be boxed as shown



4

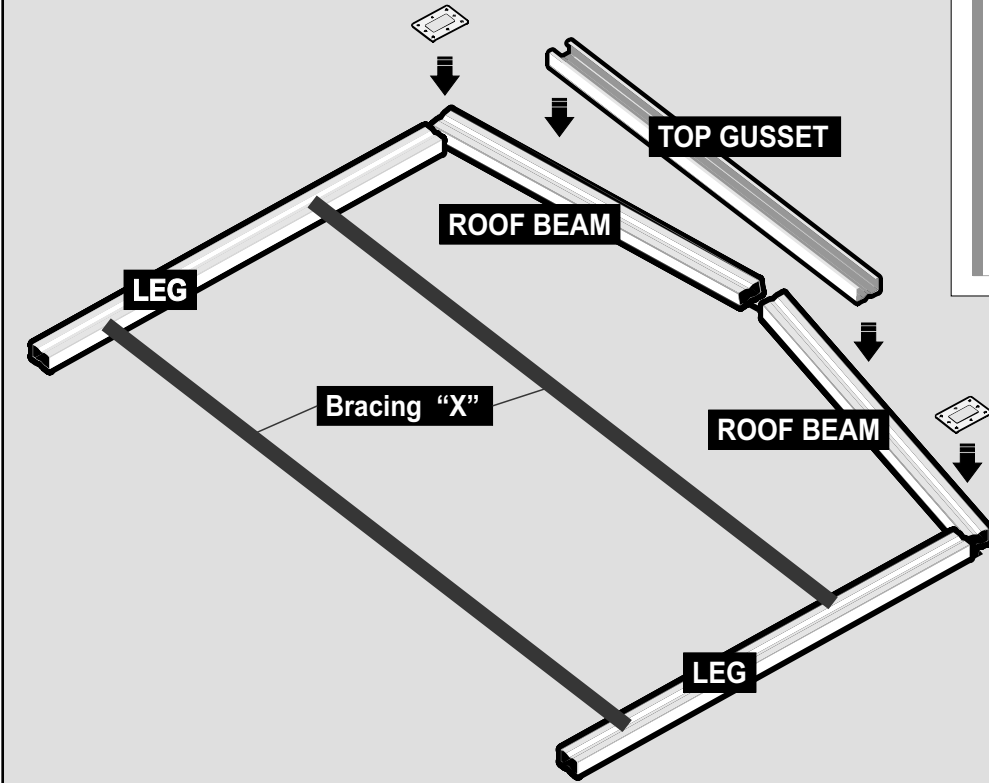
Screw the boxed roof beams together using the Tek Screws (portal)

Screws should be through the center of the beam



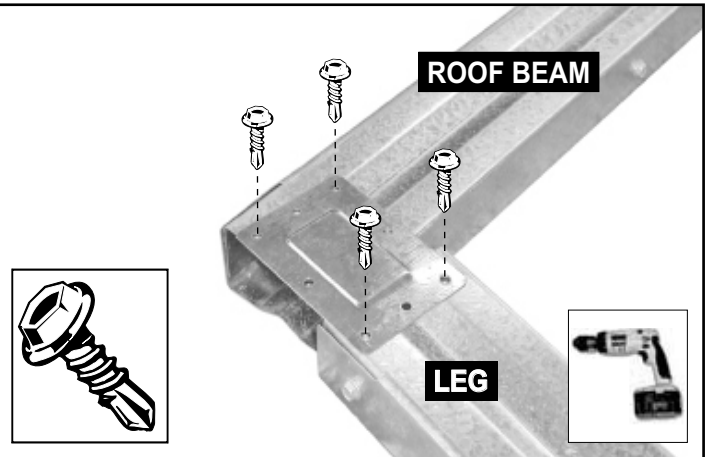
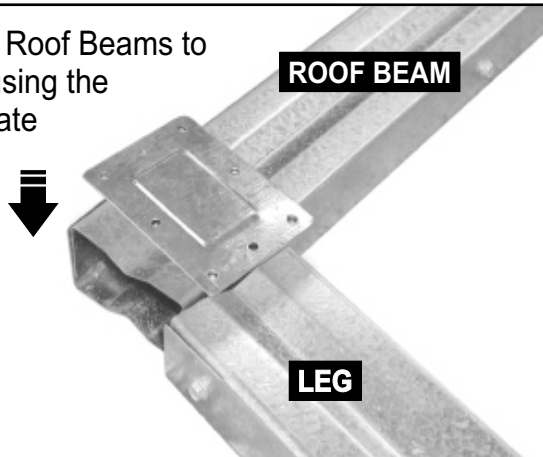
PORTAL FRAME ASSEMBLY

Assemble, lay beams out as shown and fix first side of portal

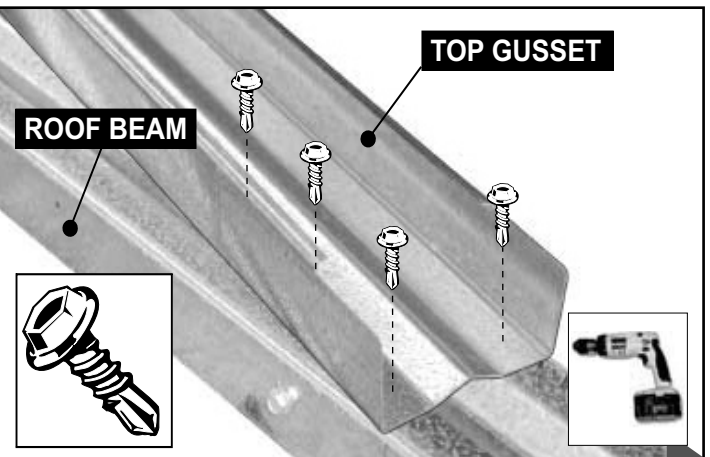
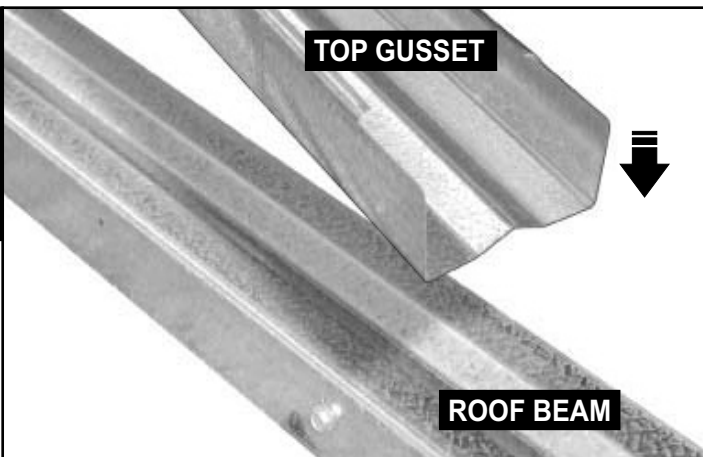


5

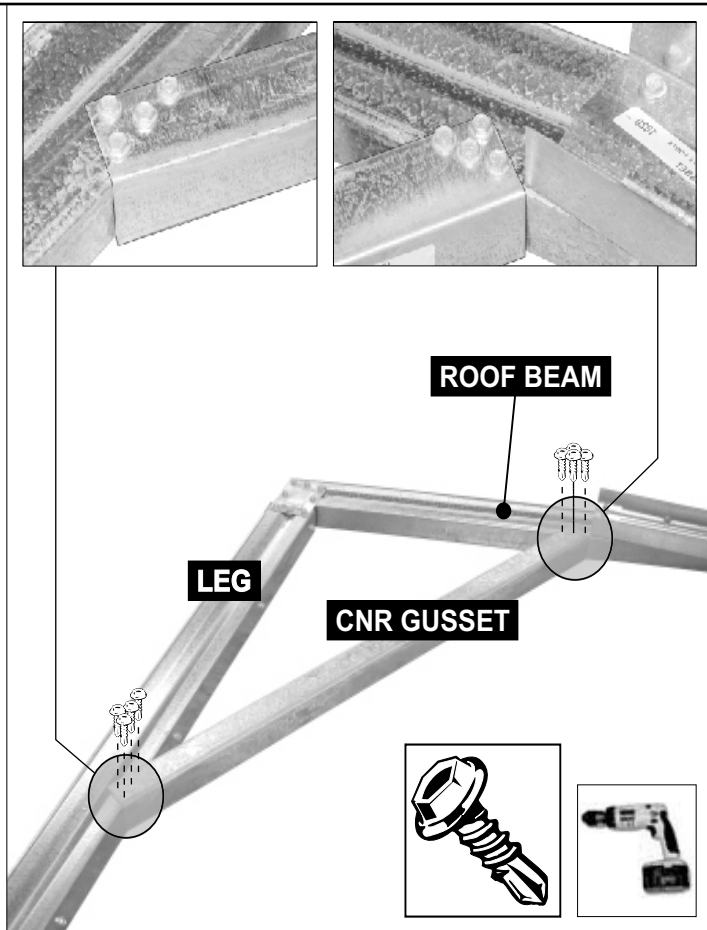
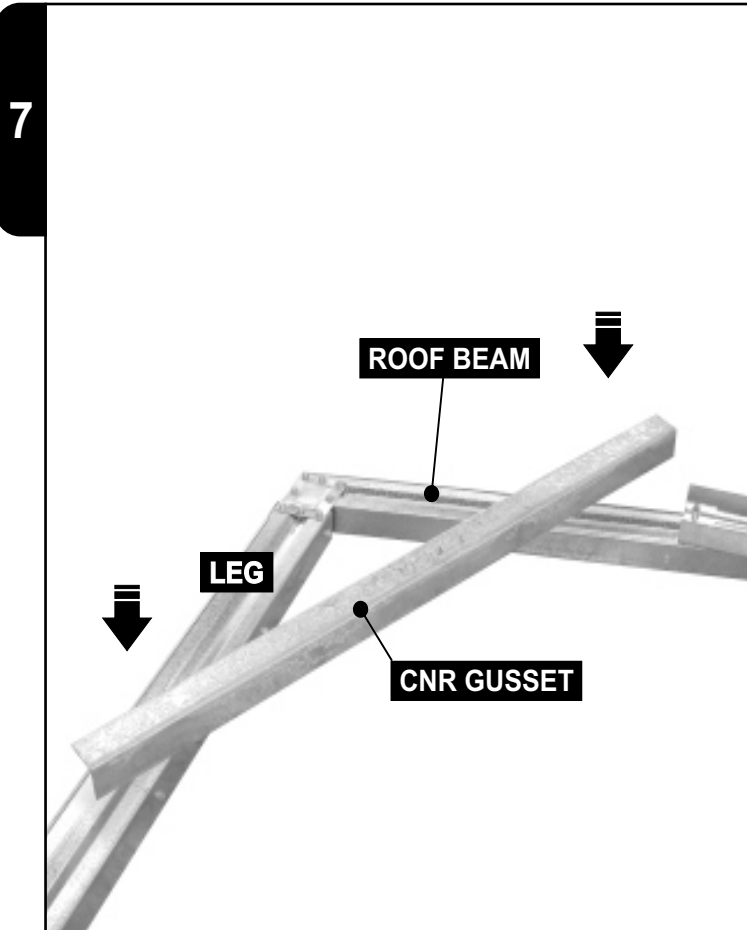
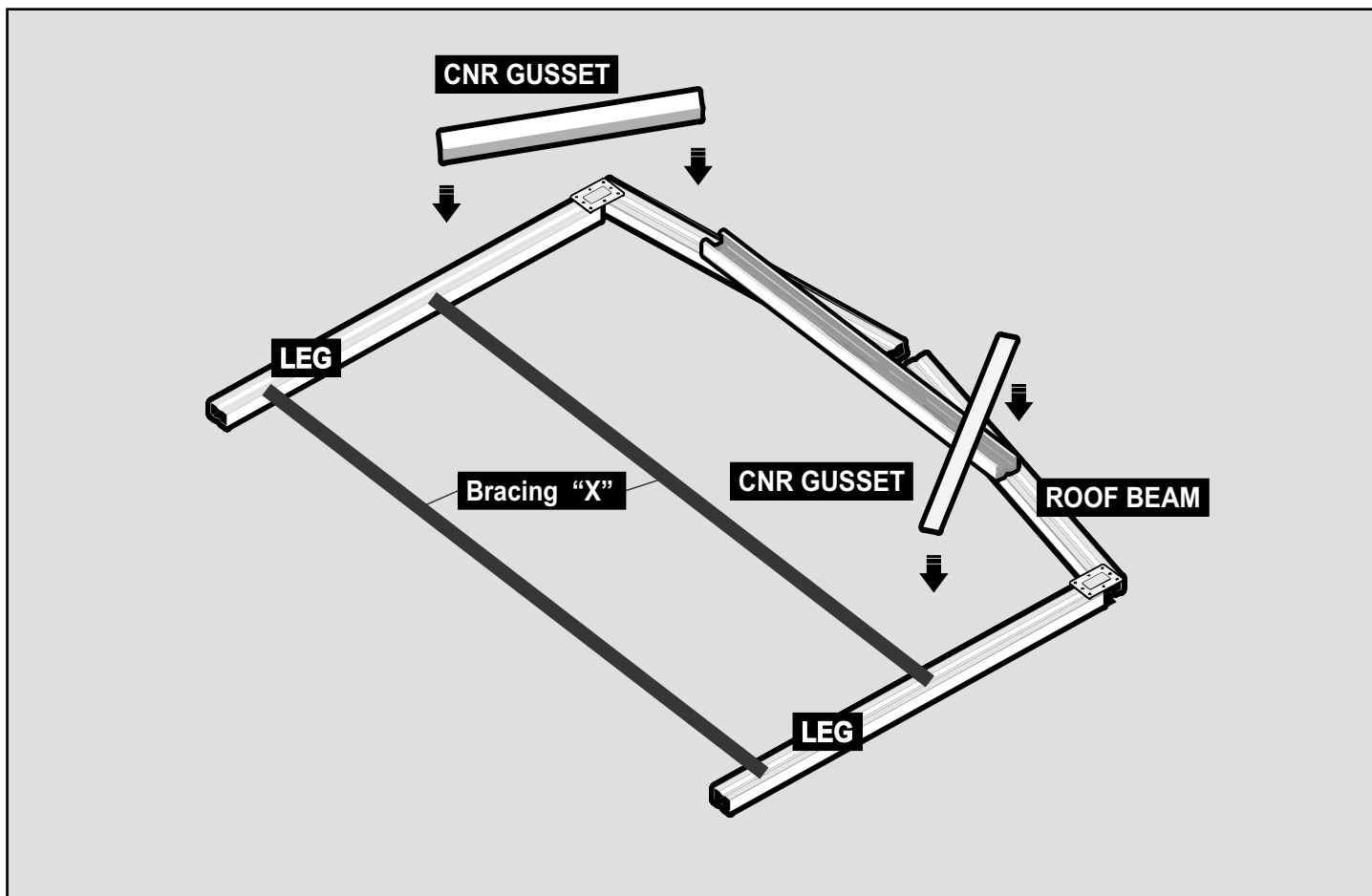
Attach the Roof Beams to the Legs using the 100x70 Plate



6

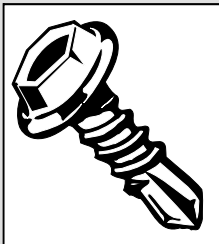
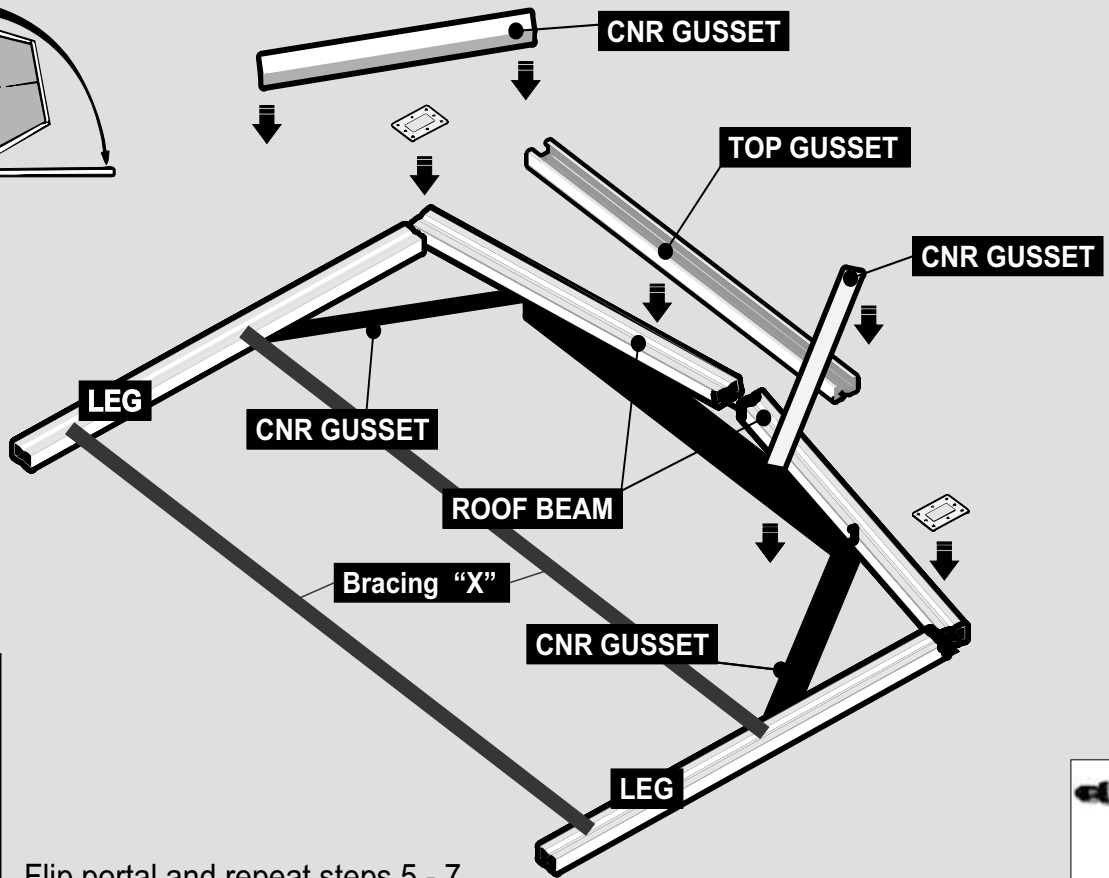
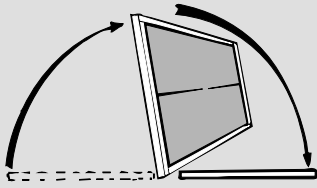


PORTAL FRAME ASSEMBLY



PORTAL FRAME ASSEMBLY

8

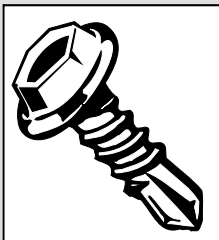
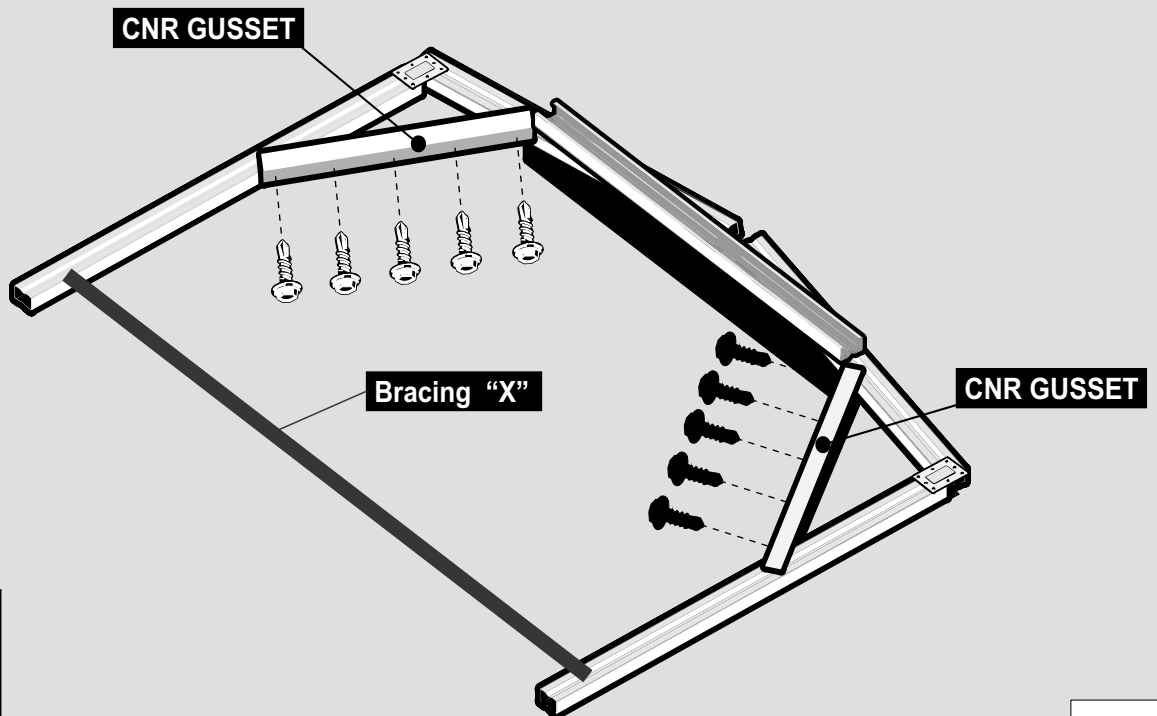


Flip portal and repeat steps 5 - 7



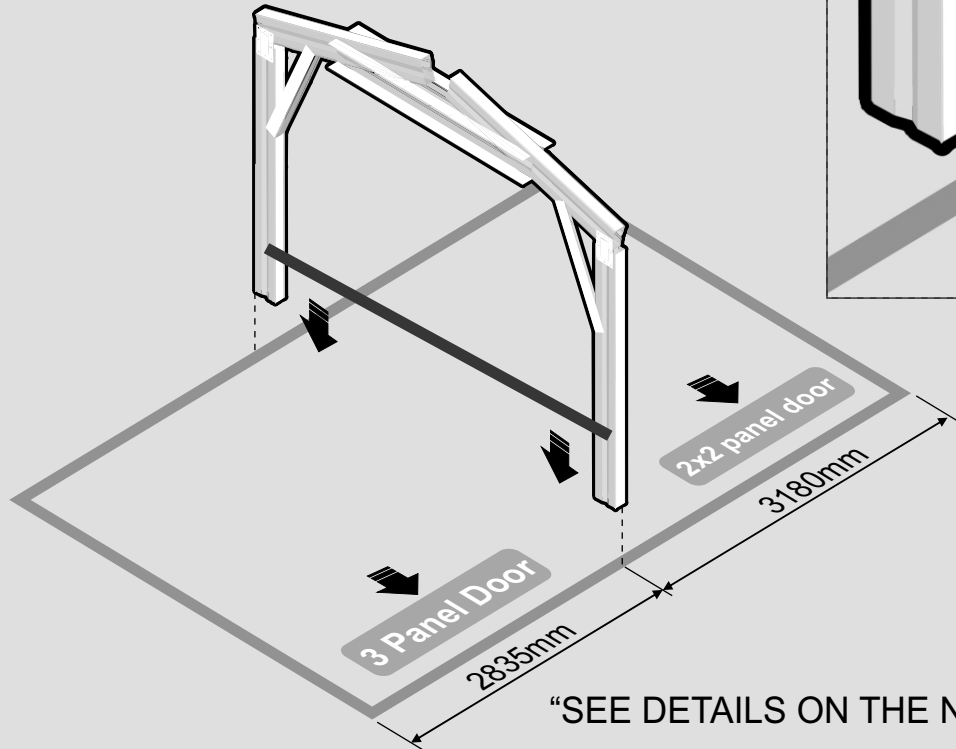
9

Join both sides of the Corner Gussets using the Portal Tek Screws, then remove the top bracing "X".

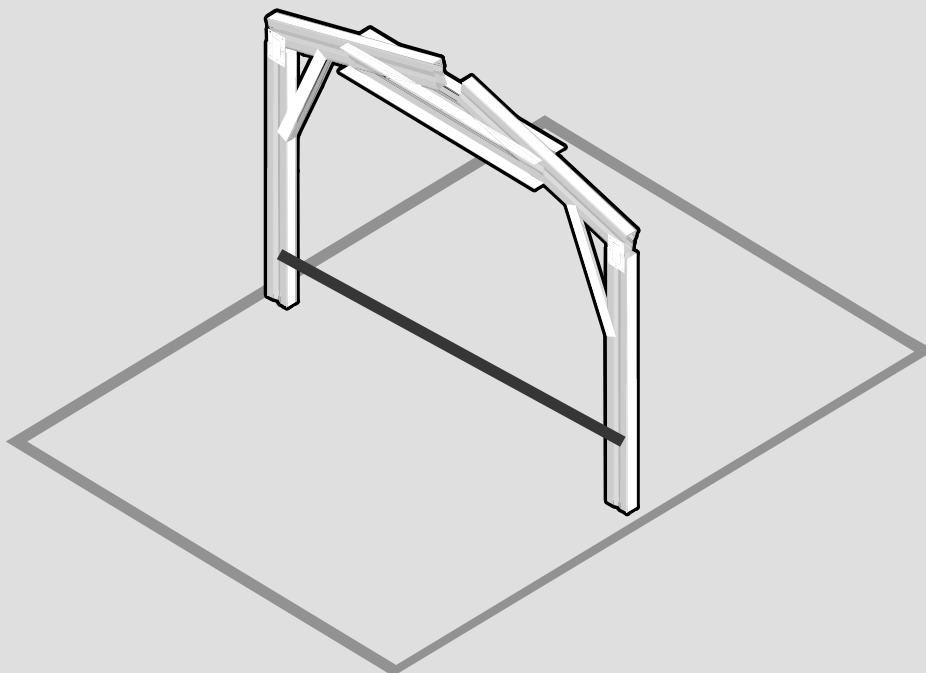


PORTAL FRAME ASSEMBLY

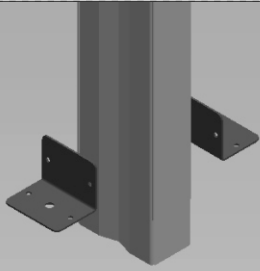
Stand up the portal frame and position as per the dimension given here.
Make sure the distance 3180 from the 2x2 Panel Door side edge of the slab.
Portal frame sit 75mm inside the width of the slab over the edge the edge.
It is possible to inter change the position of this door (left or right).



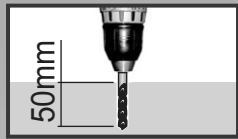
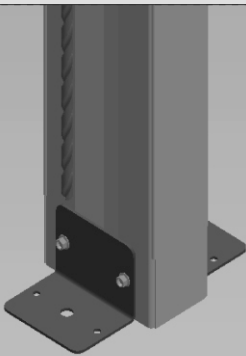
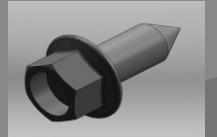
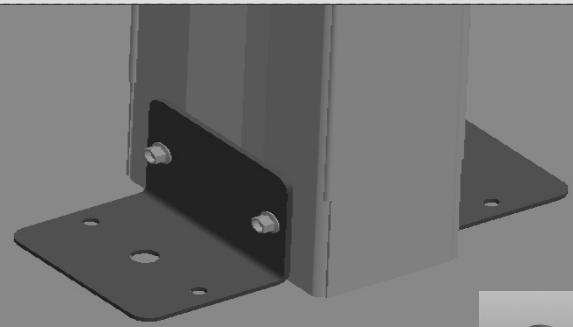
Make sure the portals stood up properly on the slab. Out of square portal fixing may create hassle later while panel fixing.



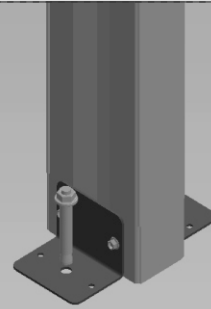
PORTAL FRAME ASSEMBLY



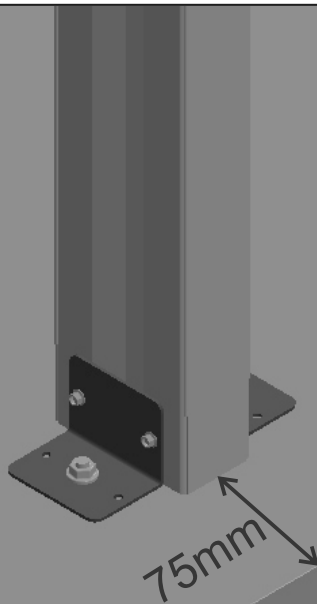
Place the 55mm Bracket as shown then fix it to the portal leg. Make sure it is square and flat to the slab.



Now Pre drill the Dia 8mm hole to a depth of 50mm.



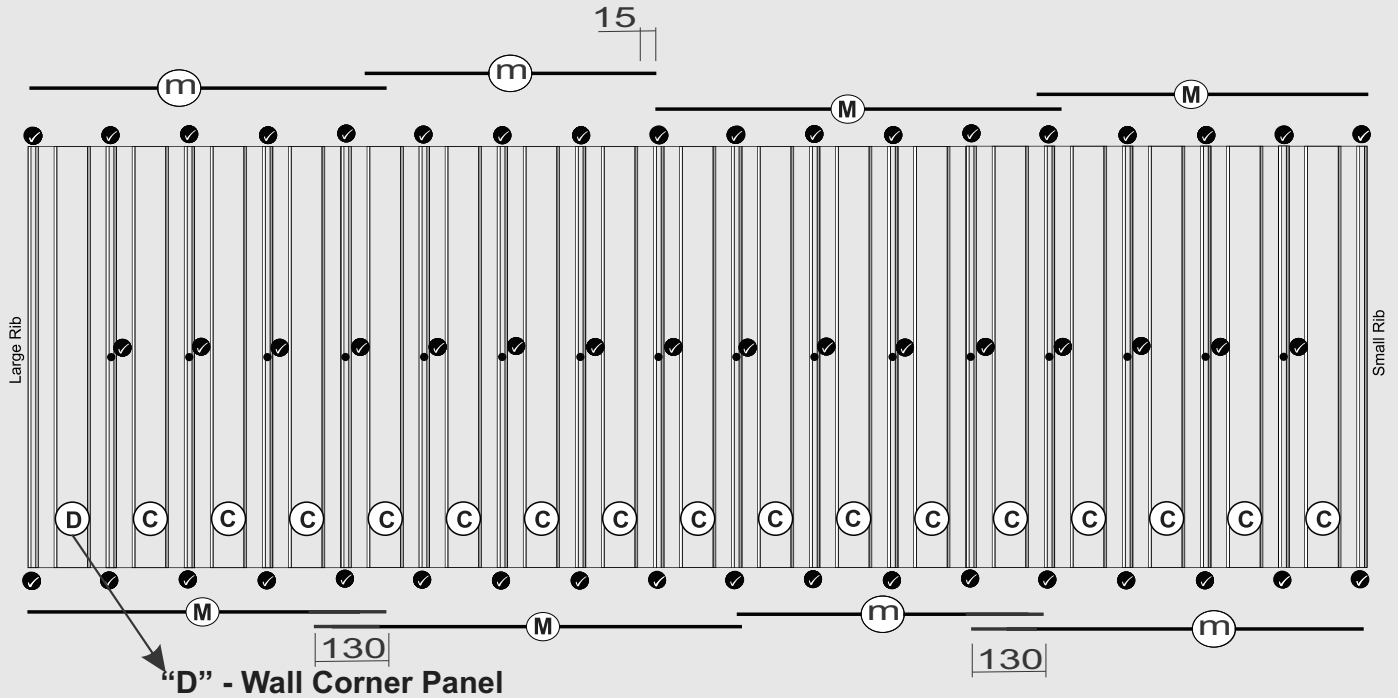
Insert and tighten the masonry anchor on all 4 brackets.



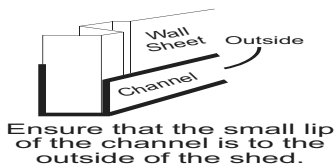
Now can remove the bracing channel "X".

REAR WALL PANEL

Required to manipulate sheeting panel to align the channel holes

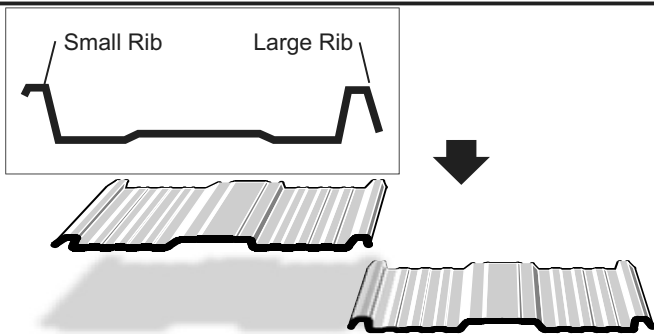


"D" - Wall Corner Panel

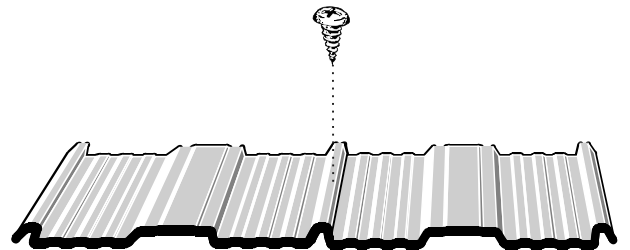


Overlap top and bottom channel by 130mm. Fit the top and bottom channel to the wall panels. Ensure the holes in the channels are in line with holes in the rib of the sheeting. Make sure the small flange on the channel positioned outside face of the sheeting.

1



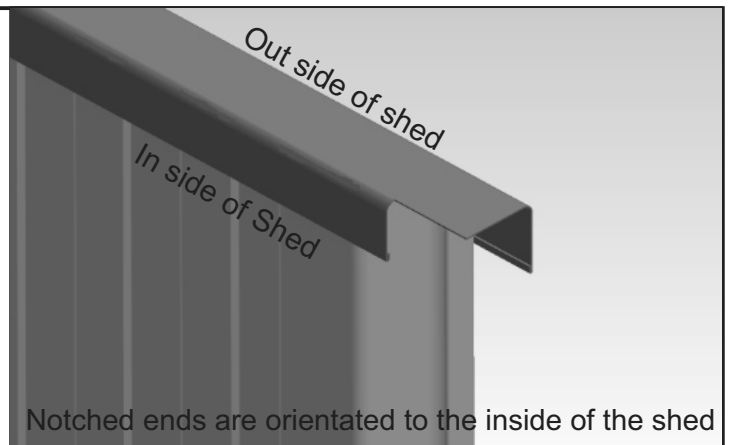
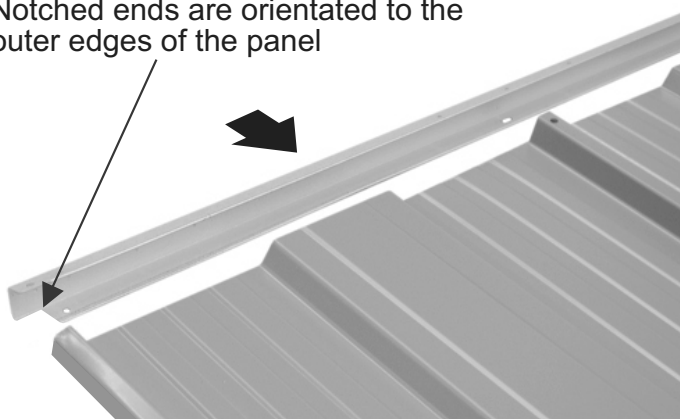
Lay the wall panels out with the large rib overlapping the small.



Screw the wall panels in the centre of the rib as shown.

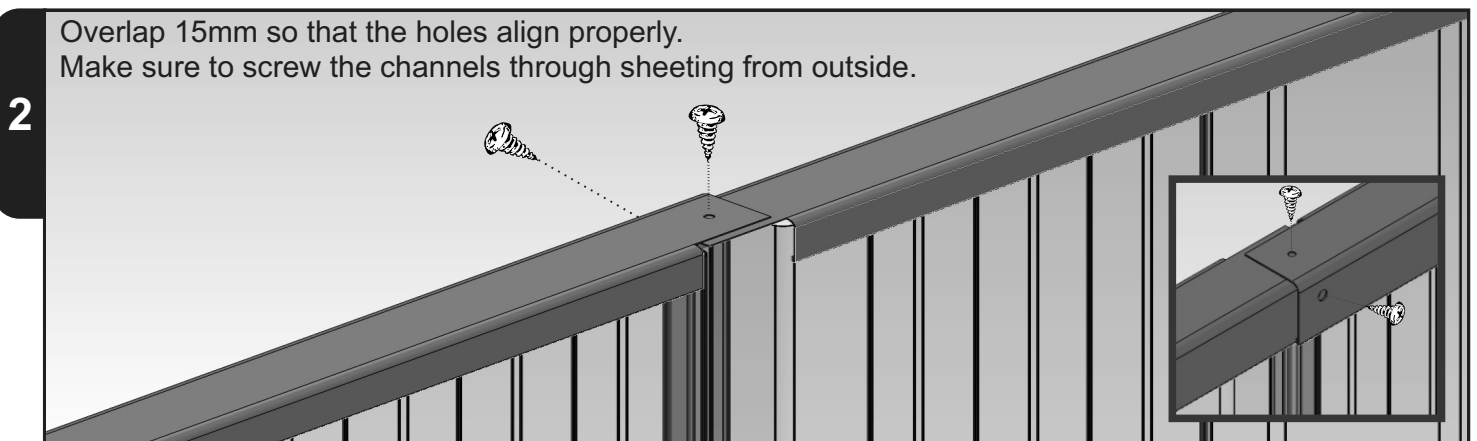
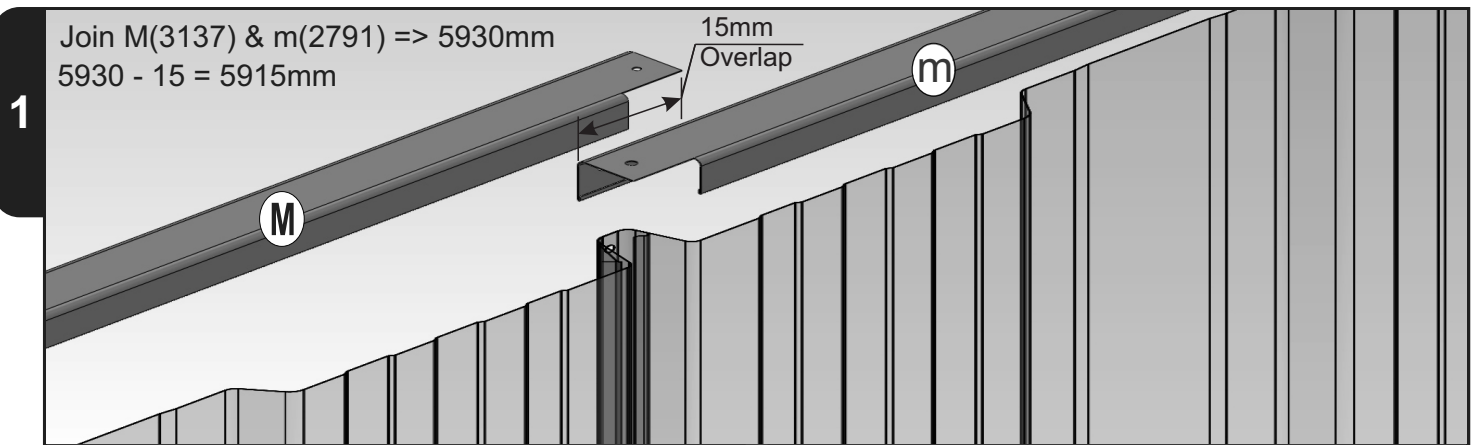
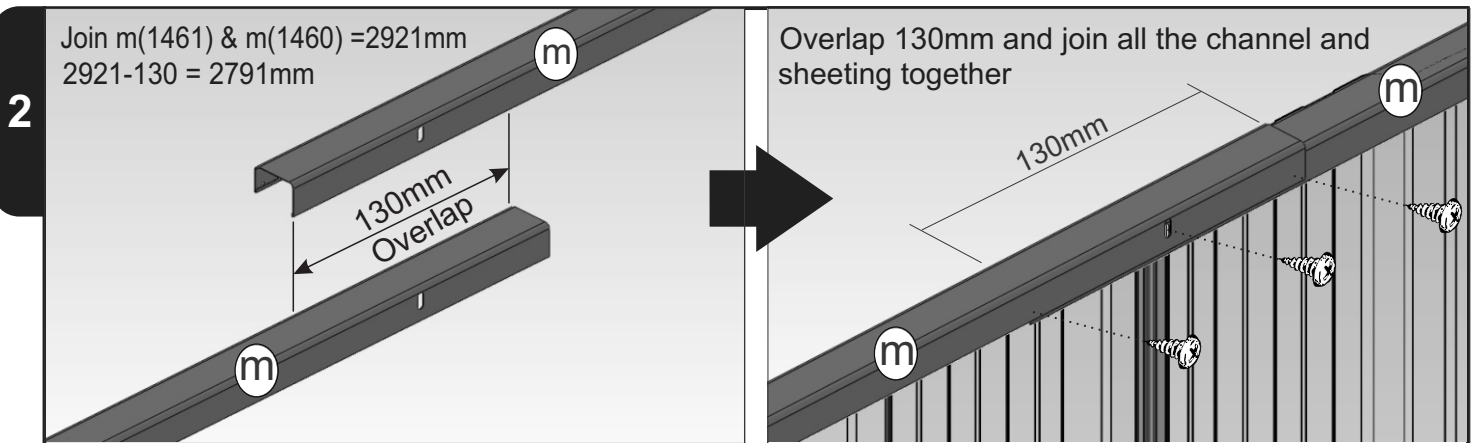
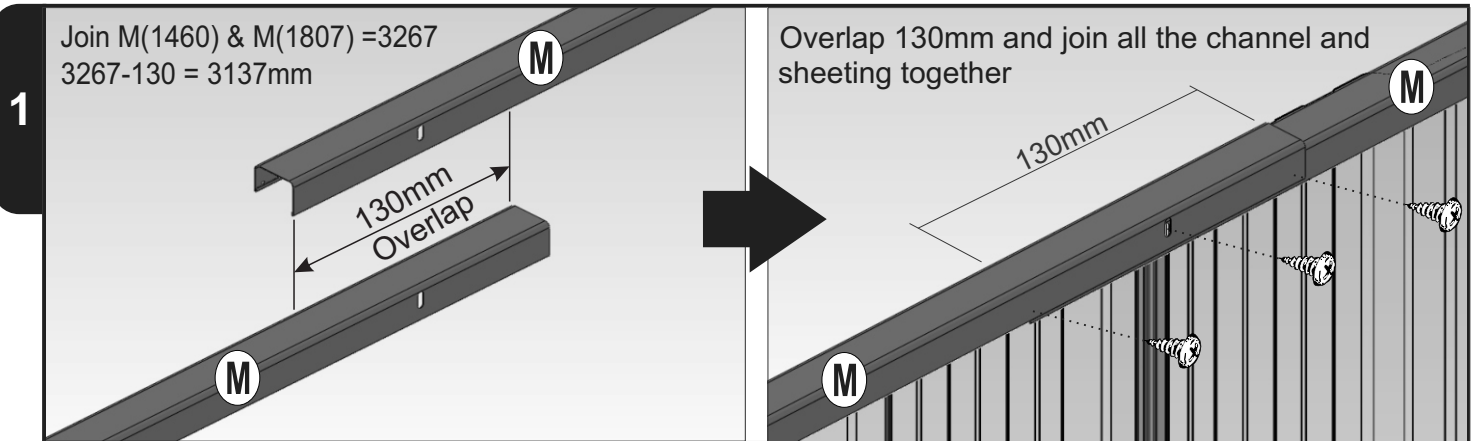
2

Notched ends are orientated to the outer edges of the panel



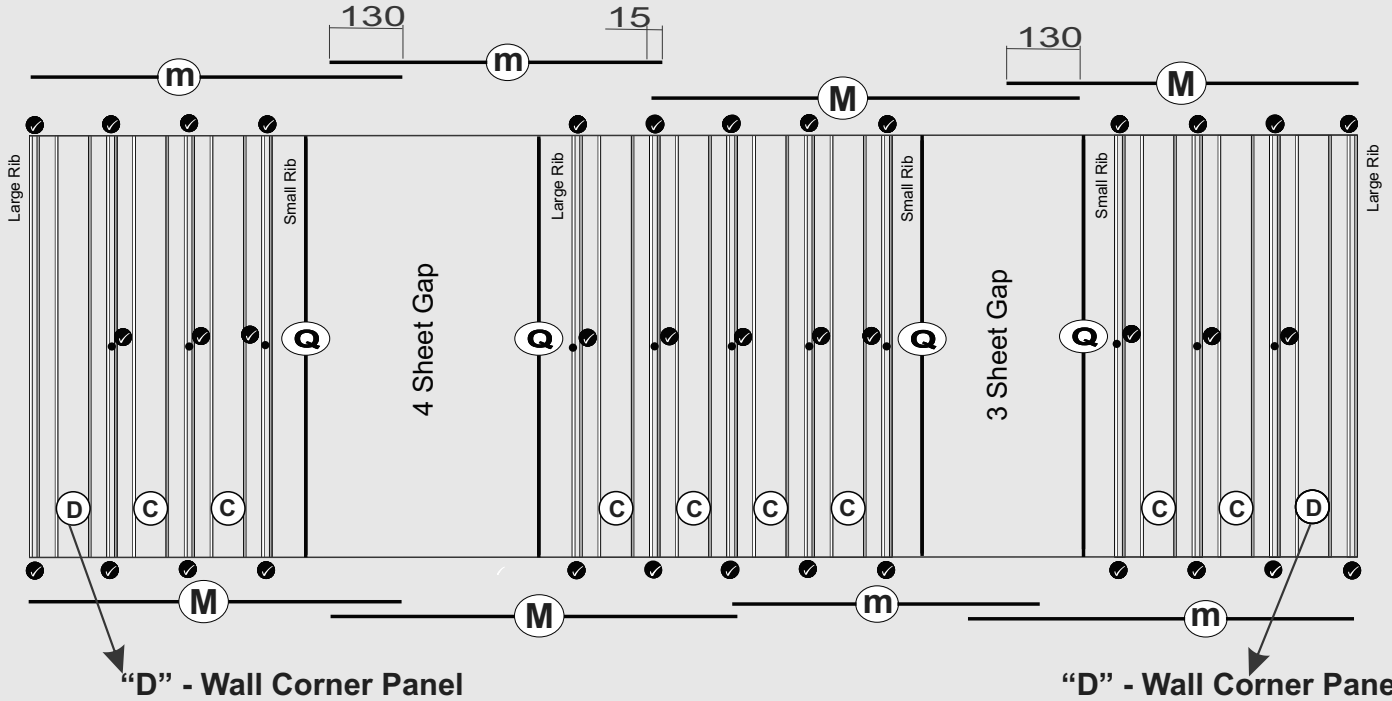
Notched ends are orientated to the inside of the shed

REAR WALL - TOP & BOTTOM CHANNEL FIXING



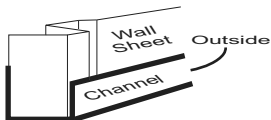
FRONT WALL PANEL

Required to manipulate sheeting panel to align the channel holes



“D” - Wall Corner Panel

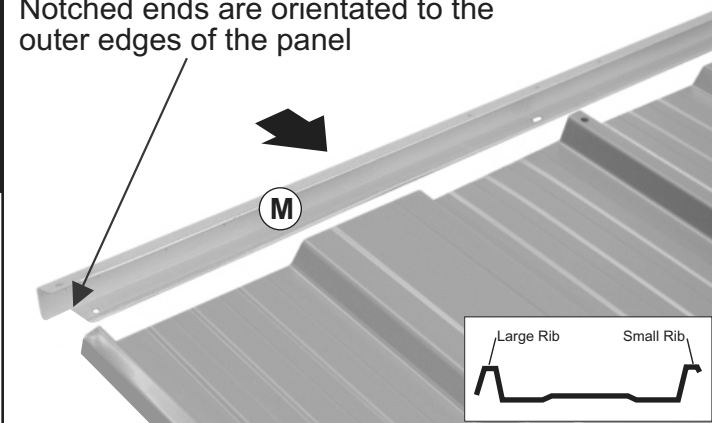
“D” - Wall Corner Panel



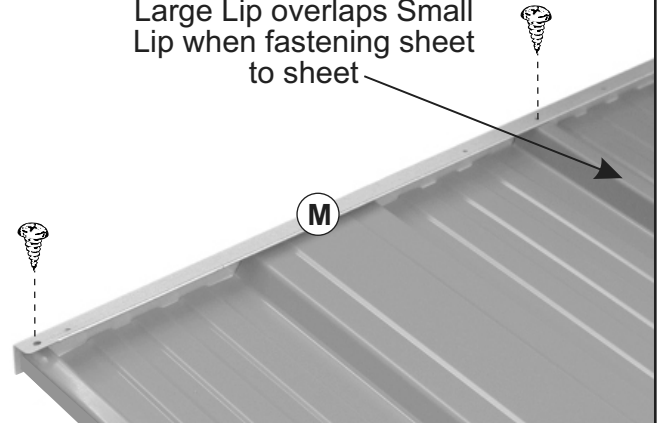
Ensure that the small lip of the channel is to the outside of the shed.

Overlap the top and bottom channels M&M by 130mm similarly m&m. Fit the top and bottom channel and door jambs to the wall panels. Ensure that the positioning of large rib on the sheets are as indicated in the picture. Also ensure the channel is flush with the edge of the sheets. It is possible to interchange the orientation of the doors. Make sure the channels also oriented as per the drawing here.

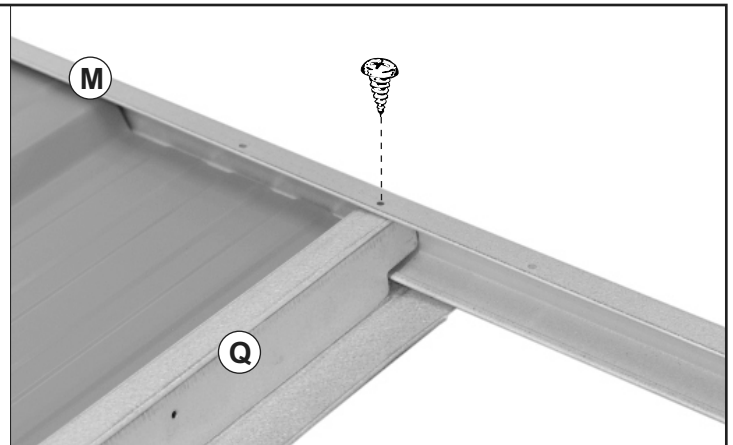
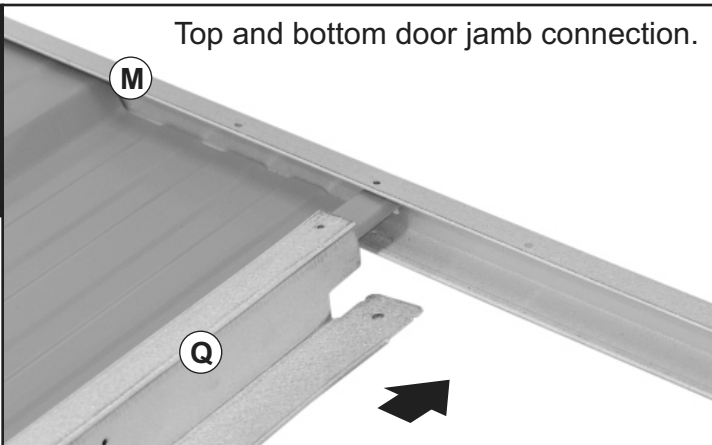
1 Notched ends are orientated to the outer edges of the panel



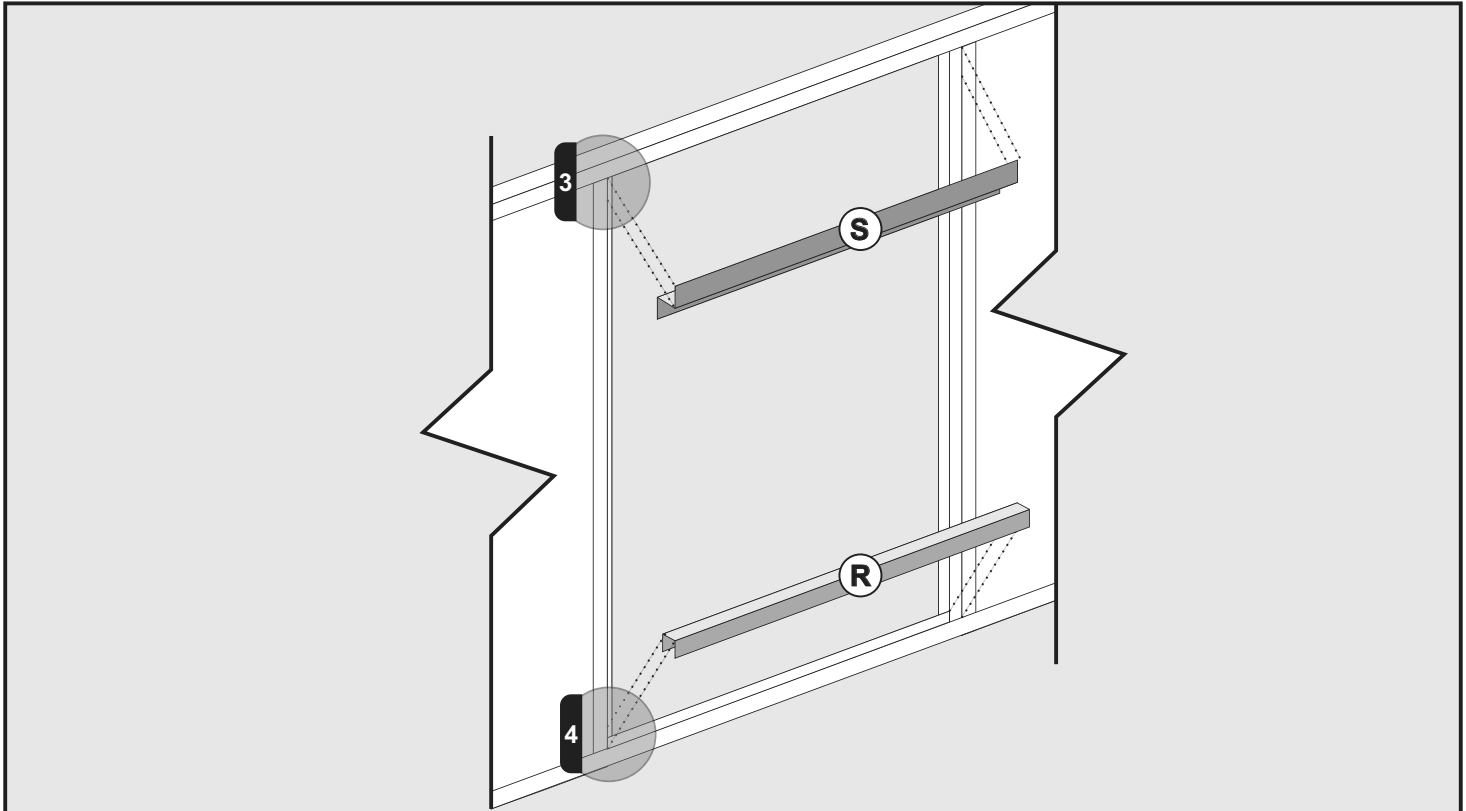
Large Lip overlaps Small Lip when fastening sheet to sheet



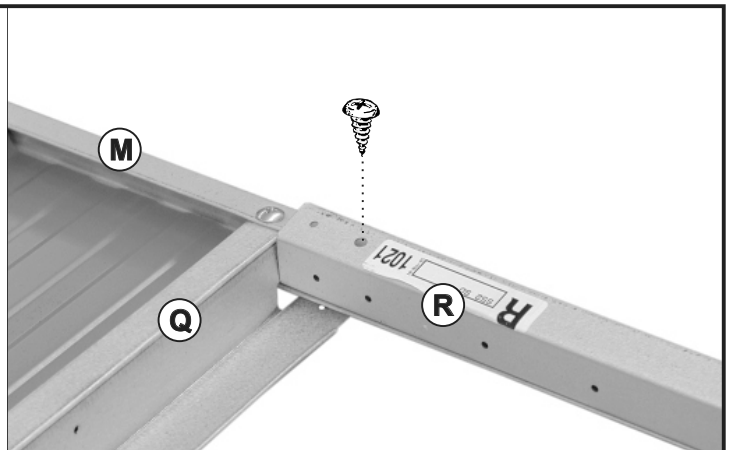
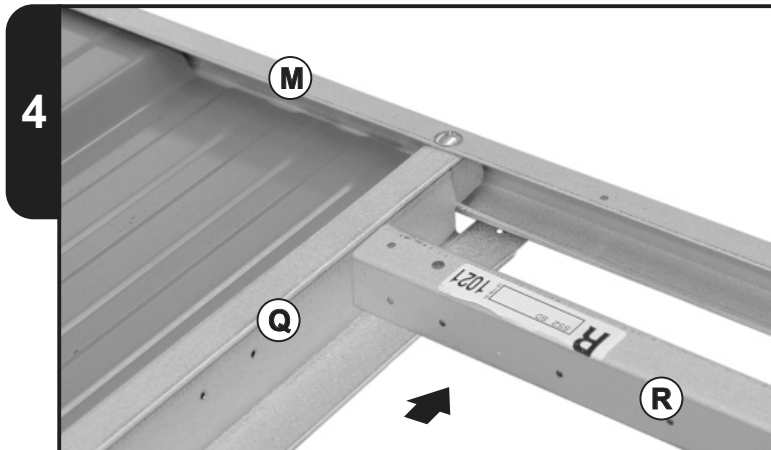
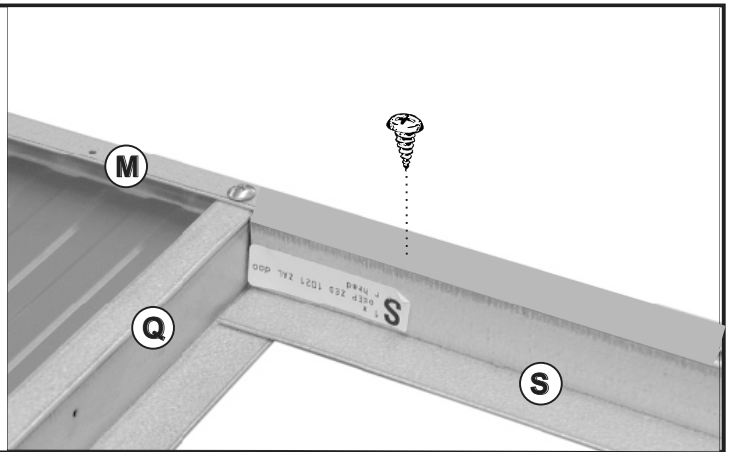
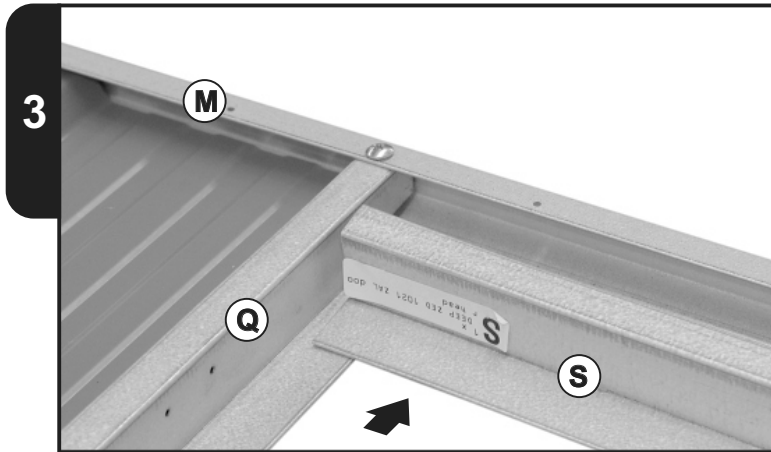
2 Top and bottom door jamb connection.



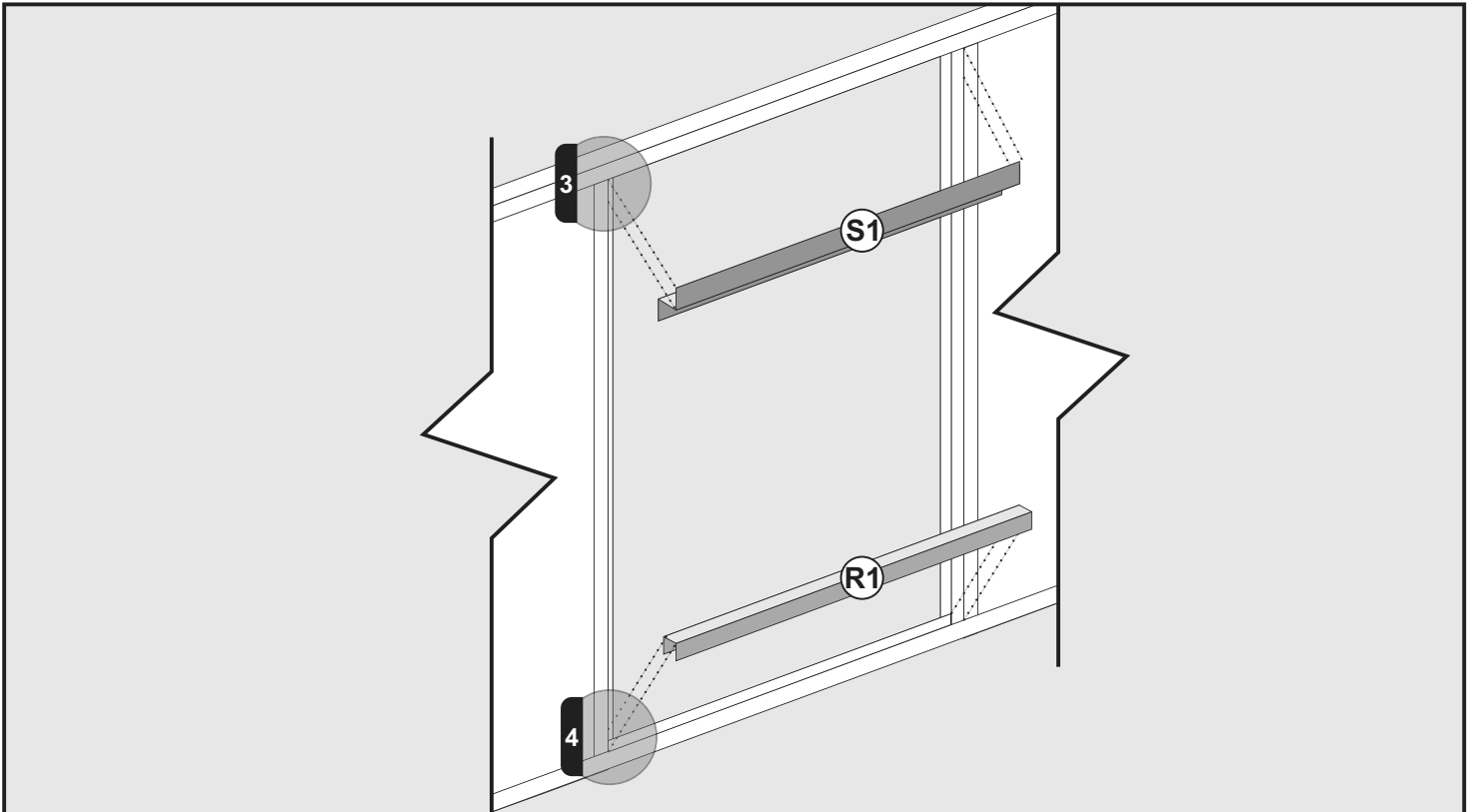
FRONT WALL PANEL- 2x2 PANEL DOOR



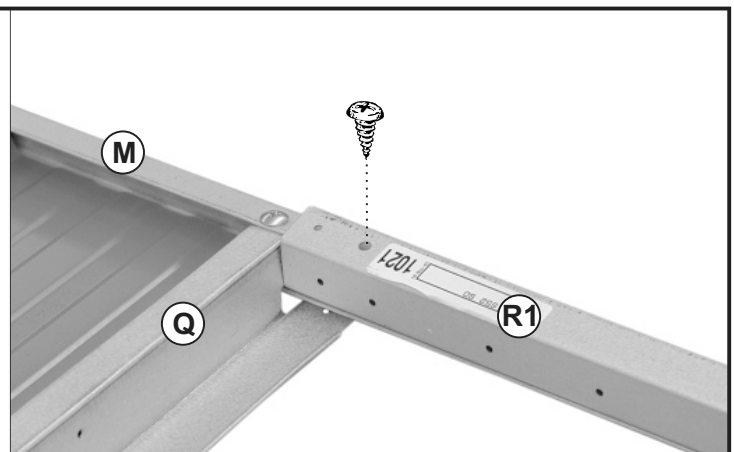
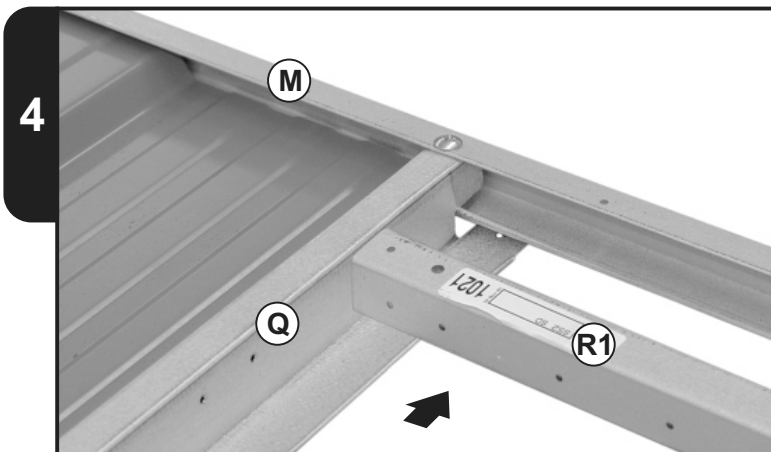
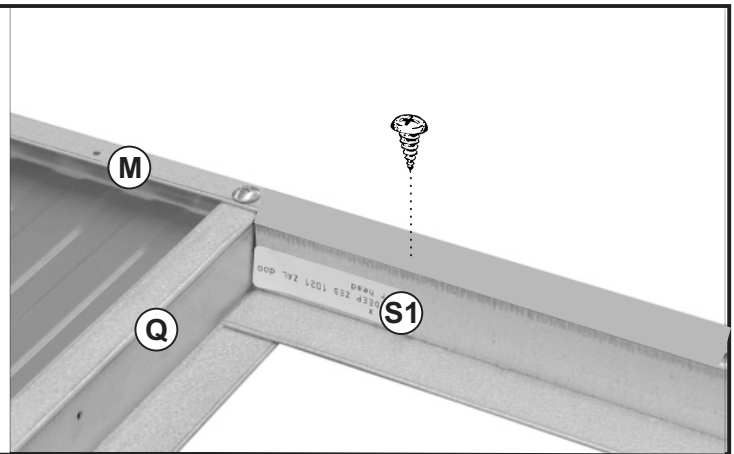
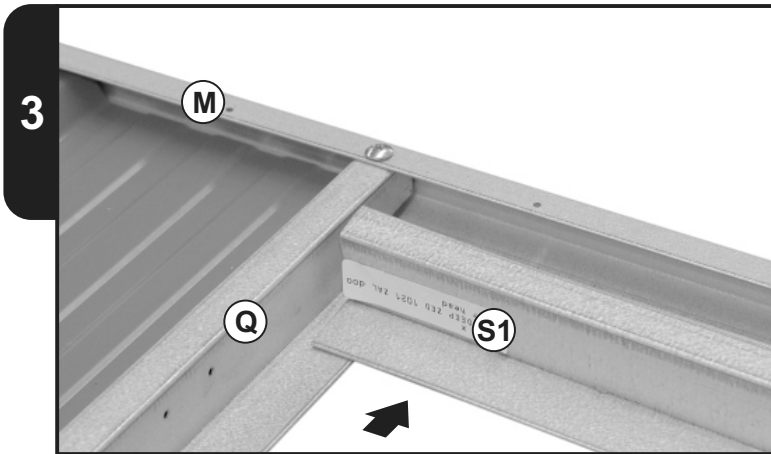
Fit the top door spacer and the bottom door spacer to the front wall panel as shown. Some pilot holes may need to be drilled with the included 2.5mm drill bit



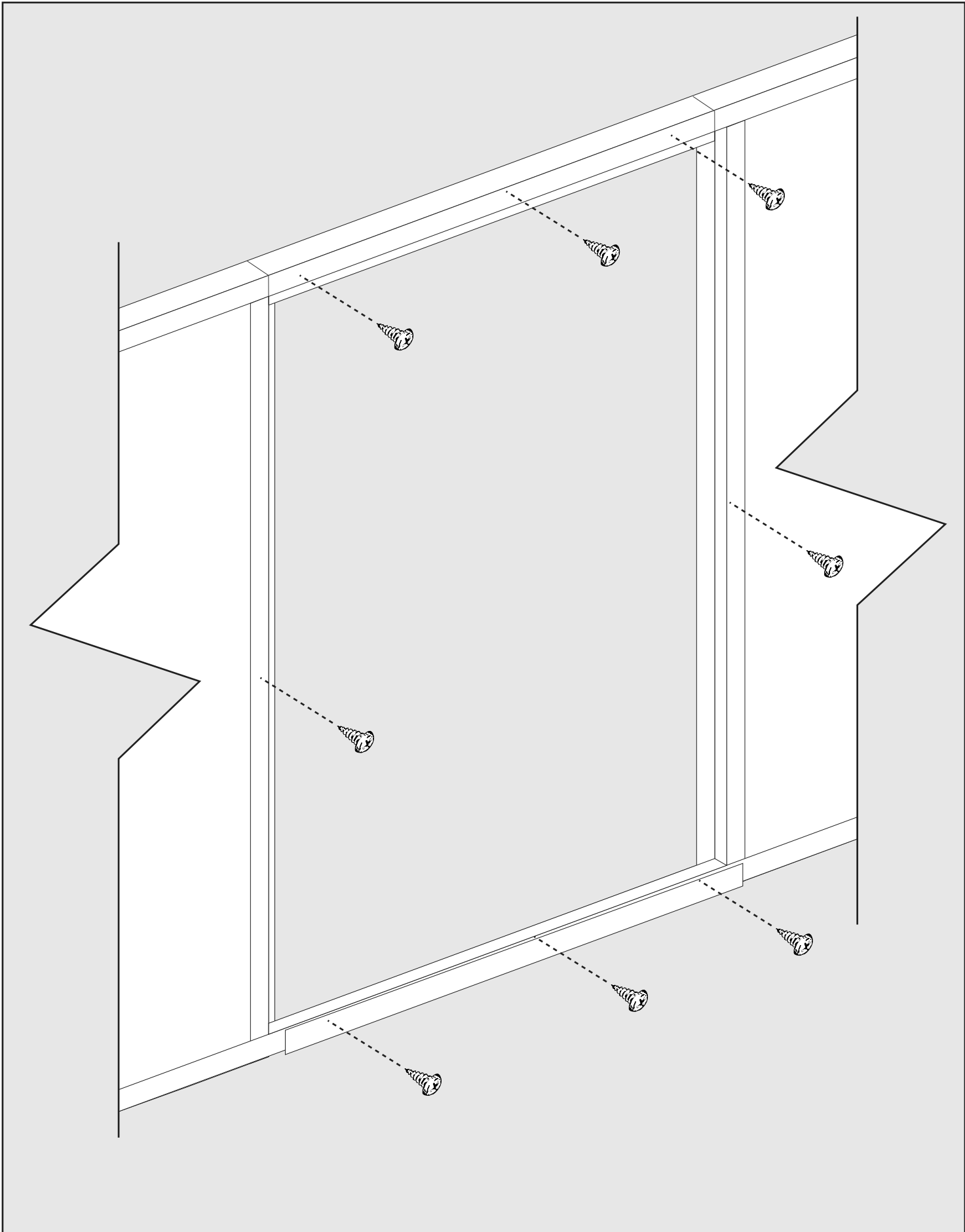
FRONT WALL PANEL- 3 PANEL DOOR



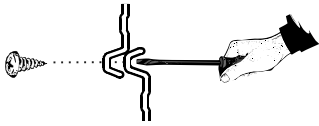
Fit the top door spacer and the bottom door spacer to the front wall panel as shown. Some pilot holes may need to be drilled with the included 2.5mm drill bit



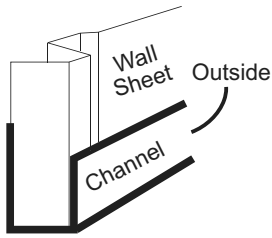
FRONT WALL PANEL



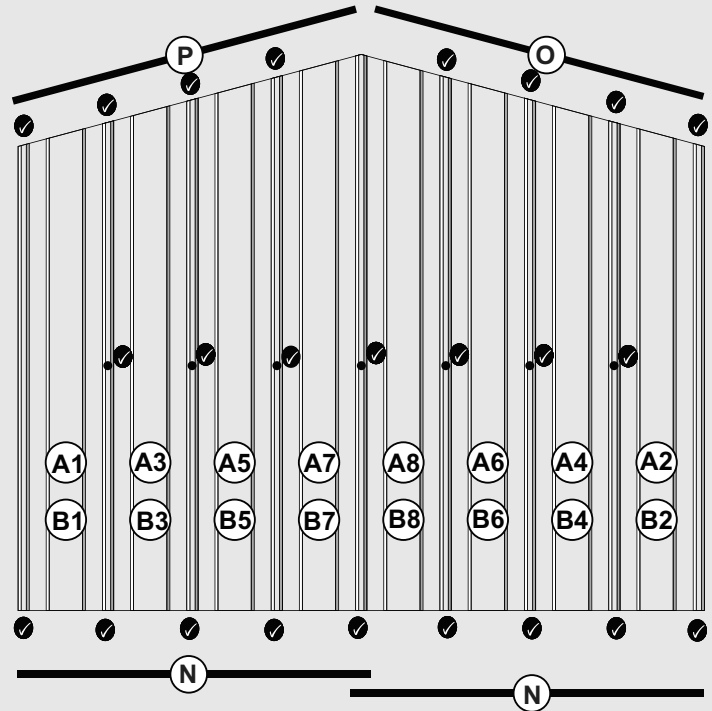
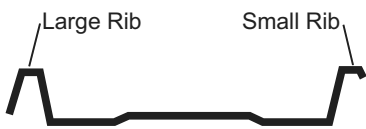
GABLE WALL PANELS



If you are having trouble screwing the channel to the sheets, chock behind the hole .



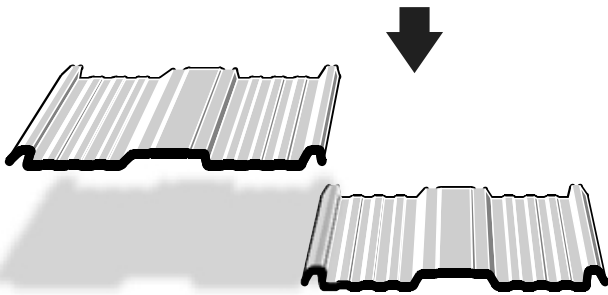
Ensure that the small lip of the channel is to the outside of the shed.



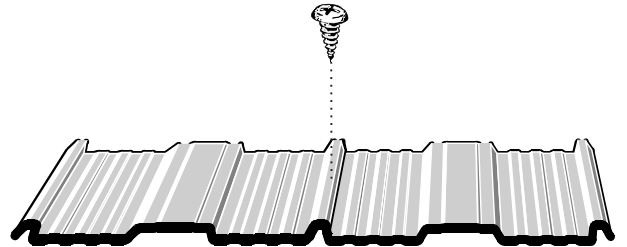
Ⓐ Left Gable Panel Labels, Ⓑ Right Gable Panel Labels

Make sure to assemble all panel "A" together for left wall and "B" for right. Overlap bottom channel by 130mm. Fit the top and bottom channel to the wall panels. Ensure the channel is flush with the edge of the sheets. Do not screw the ends of the channel to the sheets at this point.

1



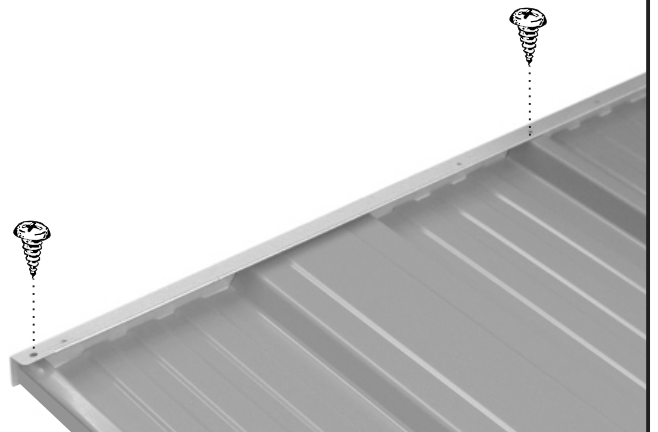
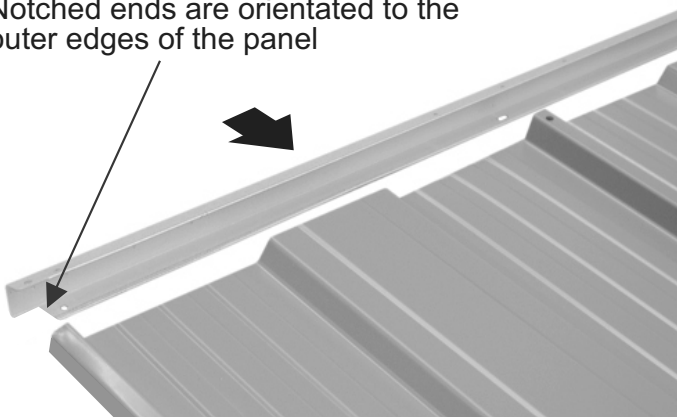
Lay the wall panels out with the large rib overlapping the small.



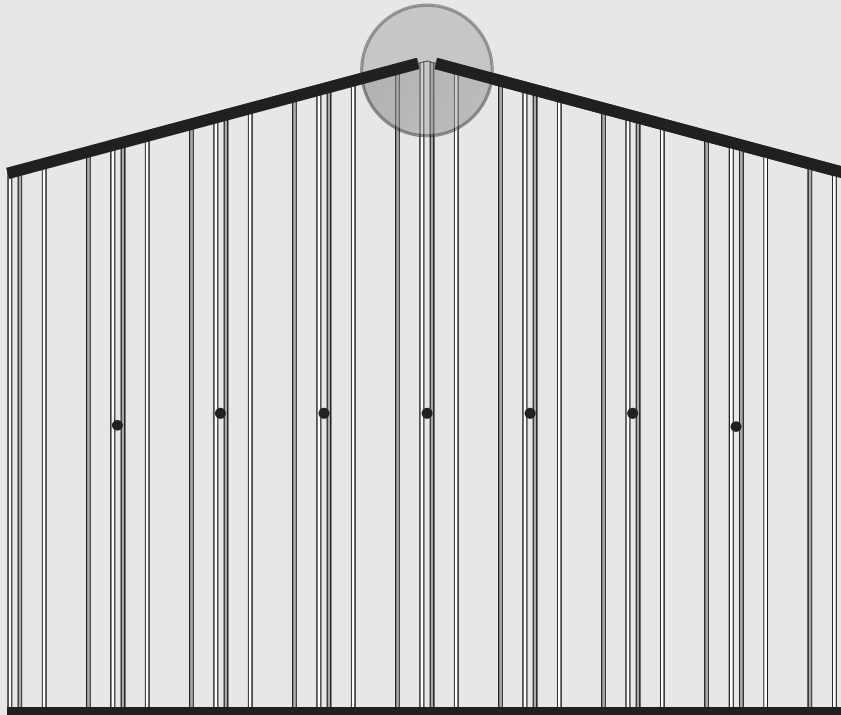
Screw the wall panels in the centre of the rib as shown.

2

Notched ends are orientated to the outer edges of the panel

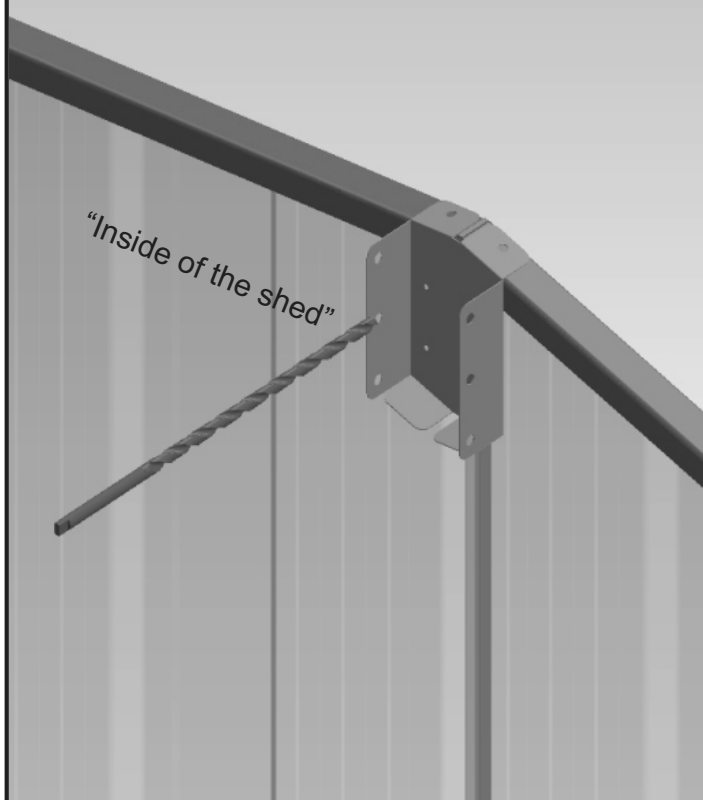


FIT RIDGE BEAM BRACKETS

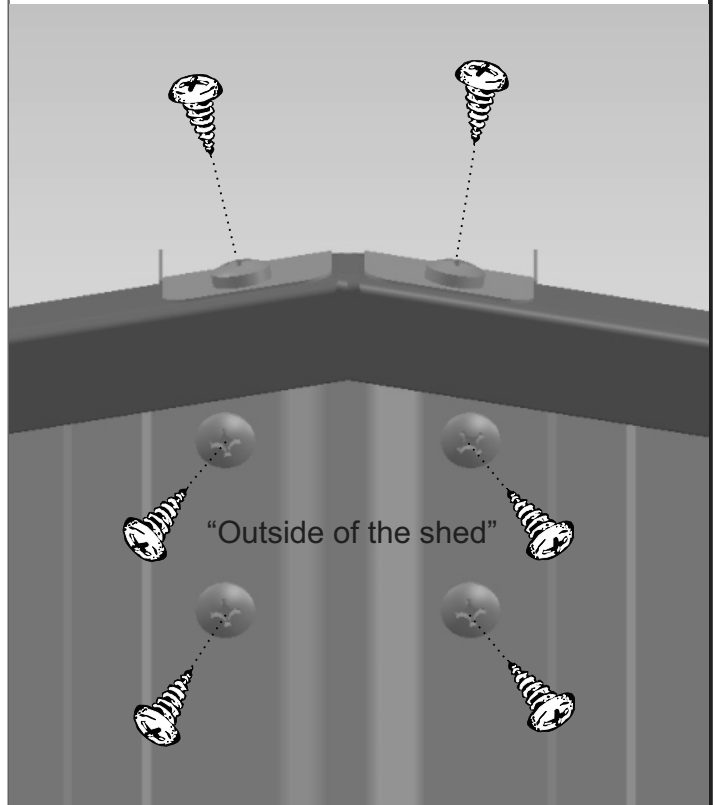


Fix the ridge beam brackets to the top of the gables using six (6) screws as shown below.

Pre Drill holes from inside the gable wall, then fix from outside with 4 screws.

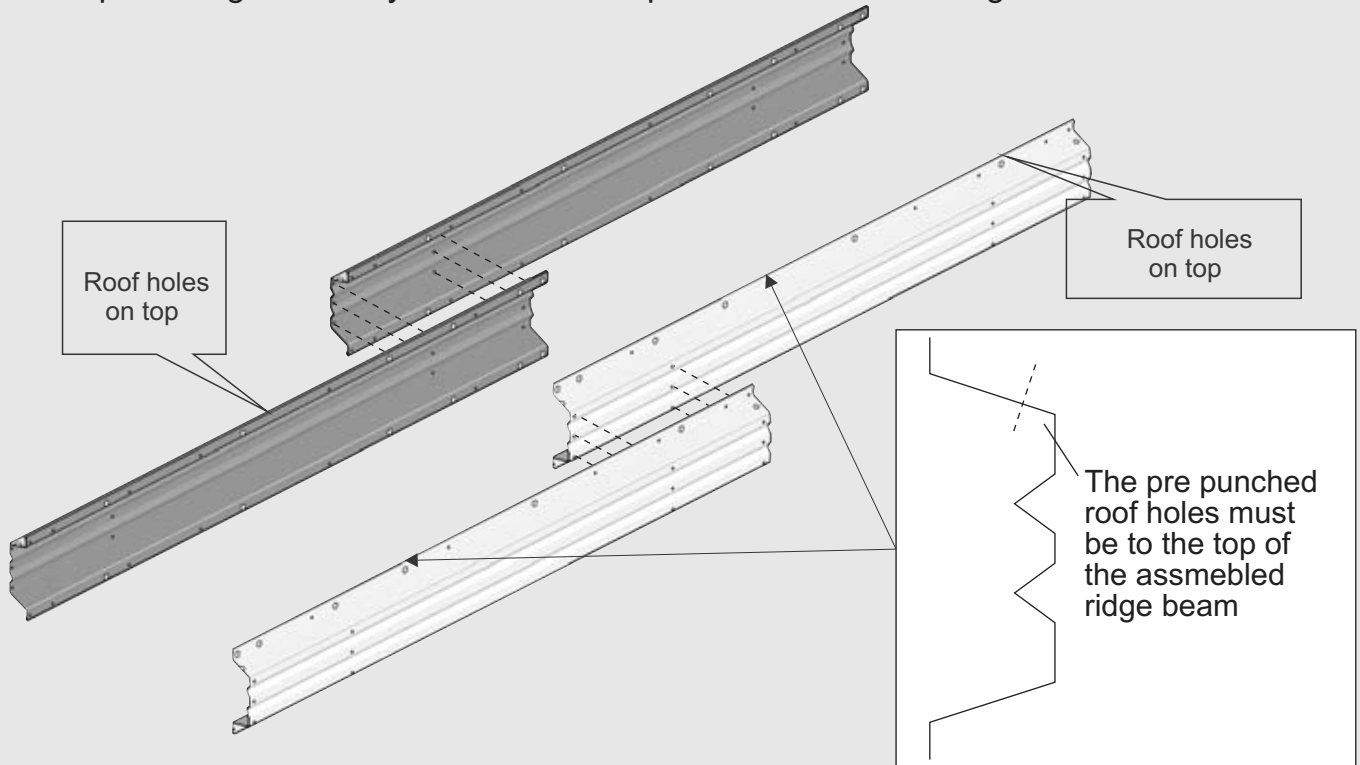


Secure brackets with six (6) screws as shown on both gable walls.

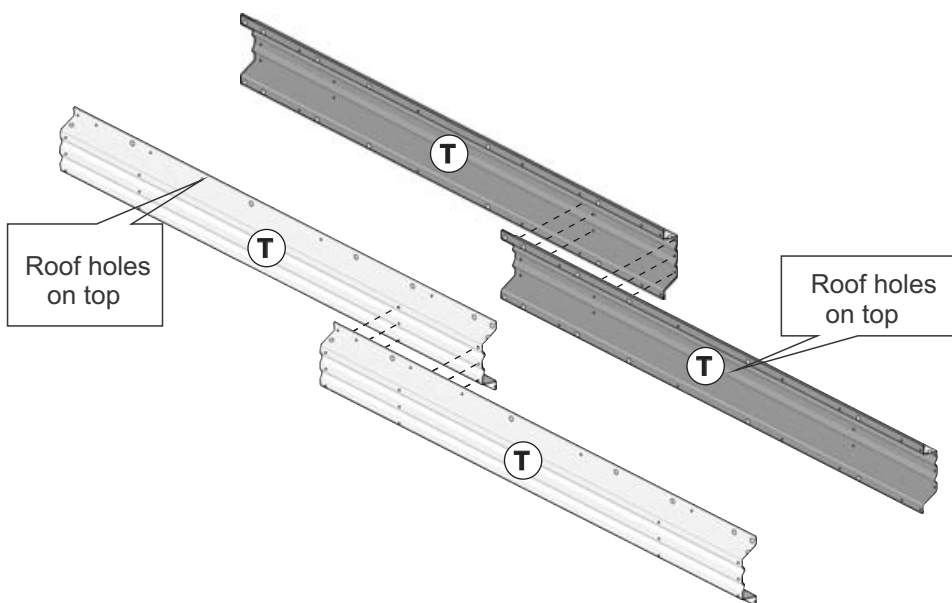
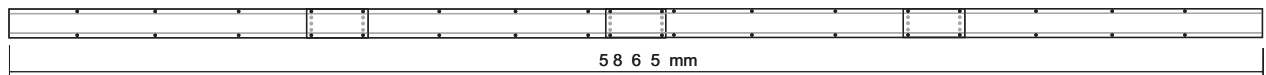


RIDGE BEAM ASSEMBLY

Over lap two ridge beam by 346mm so that pre drilled holes will align on the side face.



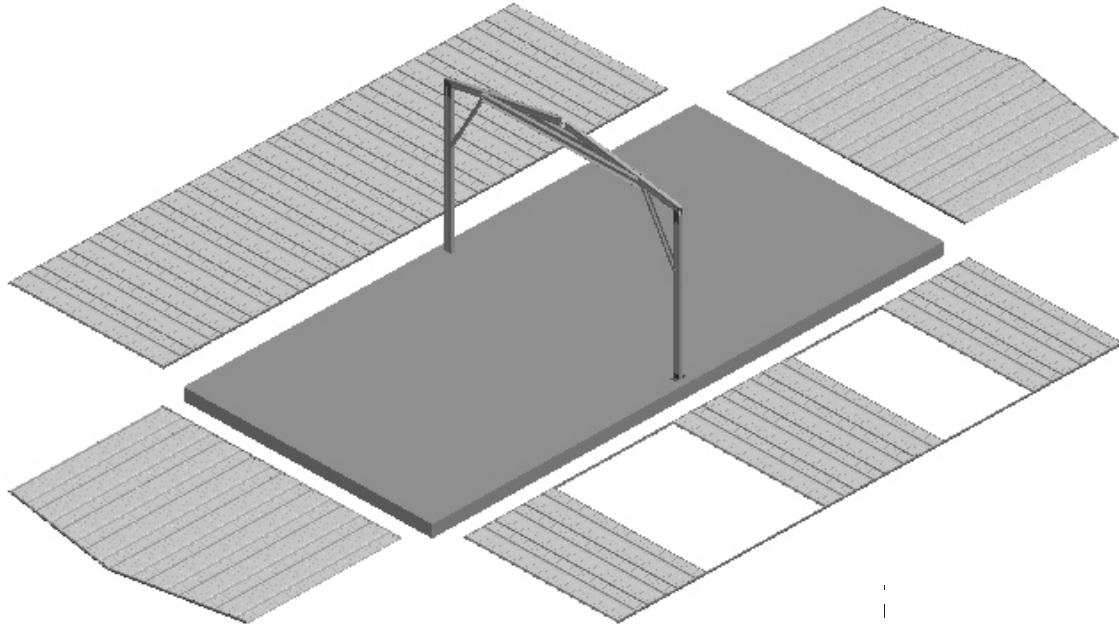
Assemble the ridge beam on the ground as shown below. Better to assemble one side in full length of 5865mm then do the other length, later box it together.



Overlap the two sides of the ridge beam securing them with six (6) screws per side. Ensure the pre-drilled roof panel holes are to the top. Screw the two sides together using the diagram top right as a guide. Join the whole 4 sets of ridge beam to get a total length of 5865mm.

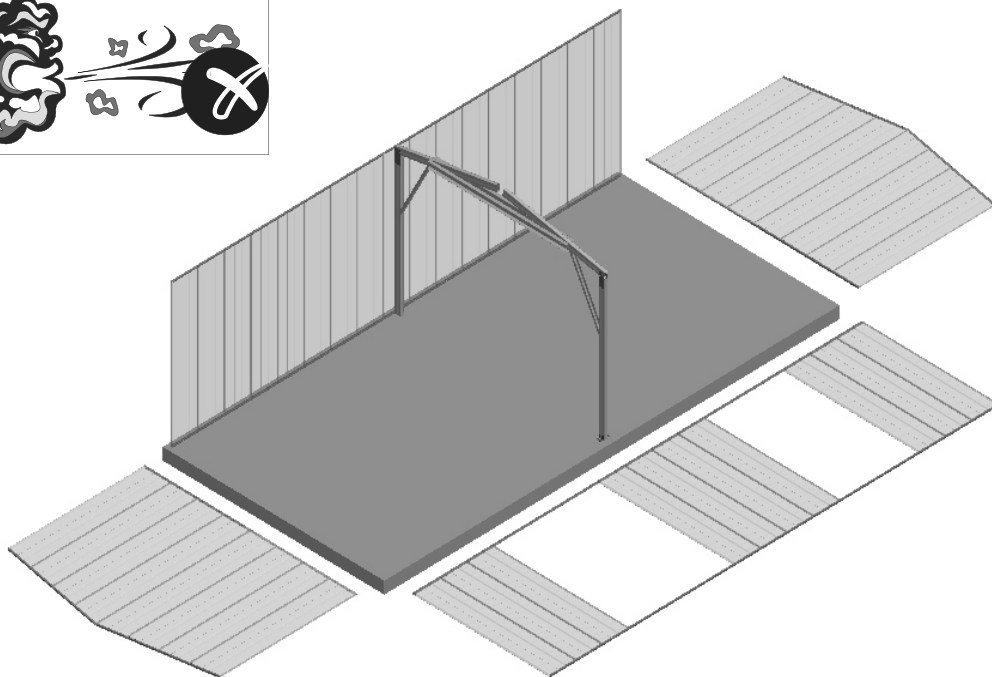
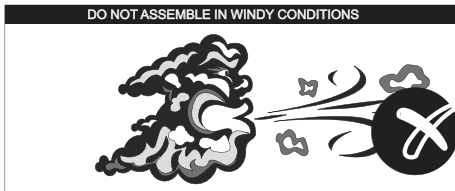
FIT RIDGE BEAM BRACKETS

This is a picture of workshop 2010, assembly procedure is same for workshop1510.



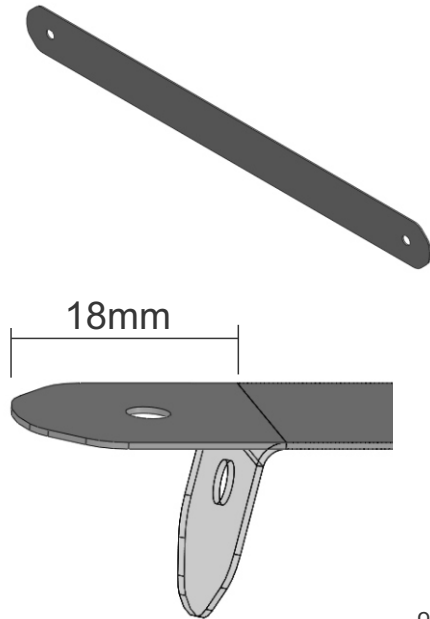
Once the four wall panels are assembled, they can now be placed as shown on the floor close to slab.

Use help of minimum of 3 person to lift and hold the panels. Take care not to assemble in windy condition.

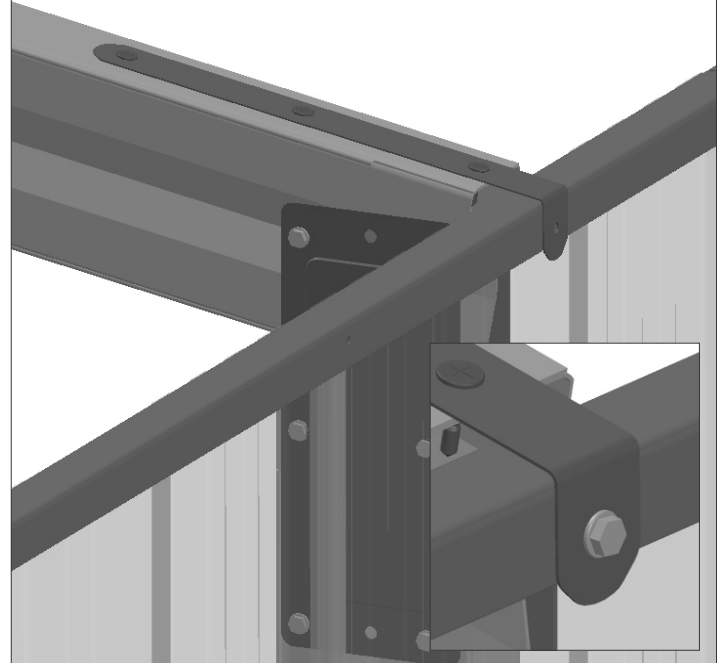


Lift the Rear wall Panel and place on the slab close to the portal leg. make sure to position the panel inside facing towards the portal frame, and center of the portal leg should be on the center of the rib where 7th panel (from 2x2 door) joint to 6th panel (from 3 panel door)

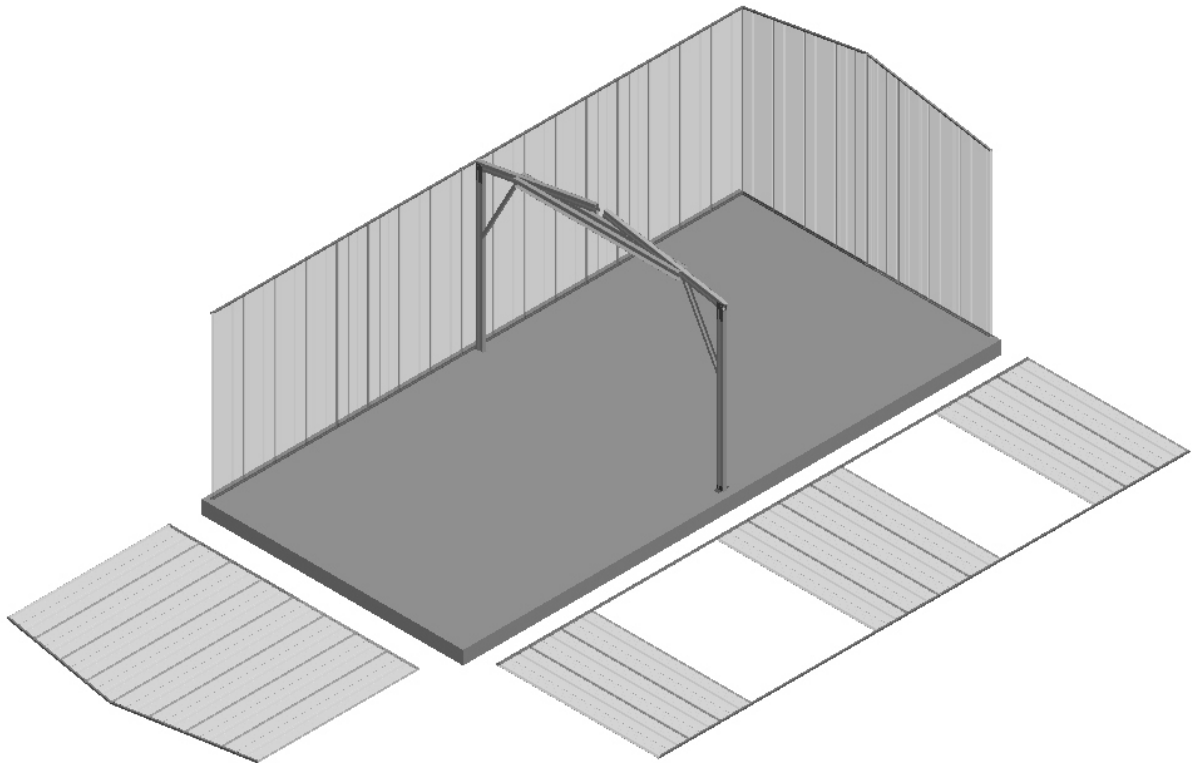
FIT THE REAR WALL



Bend one end of the strip by 80° as shown.

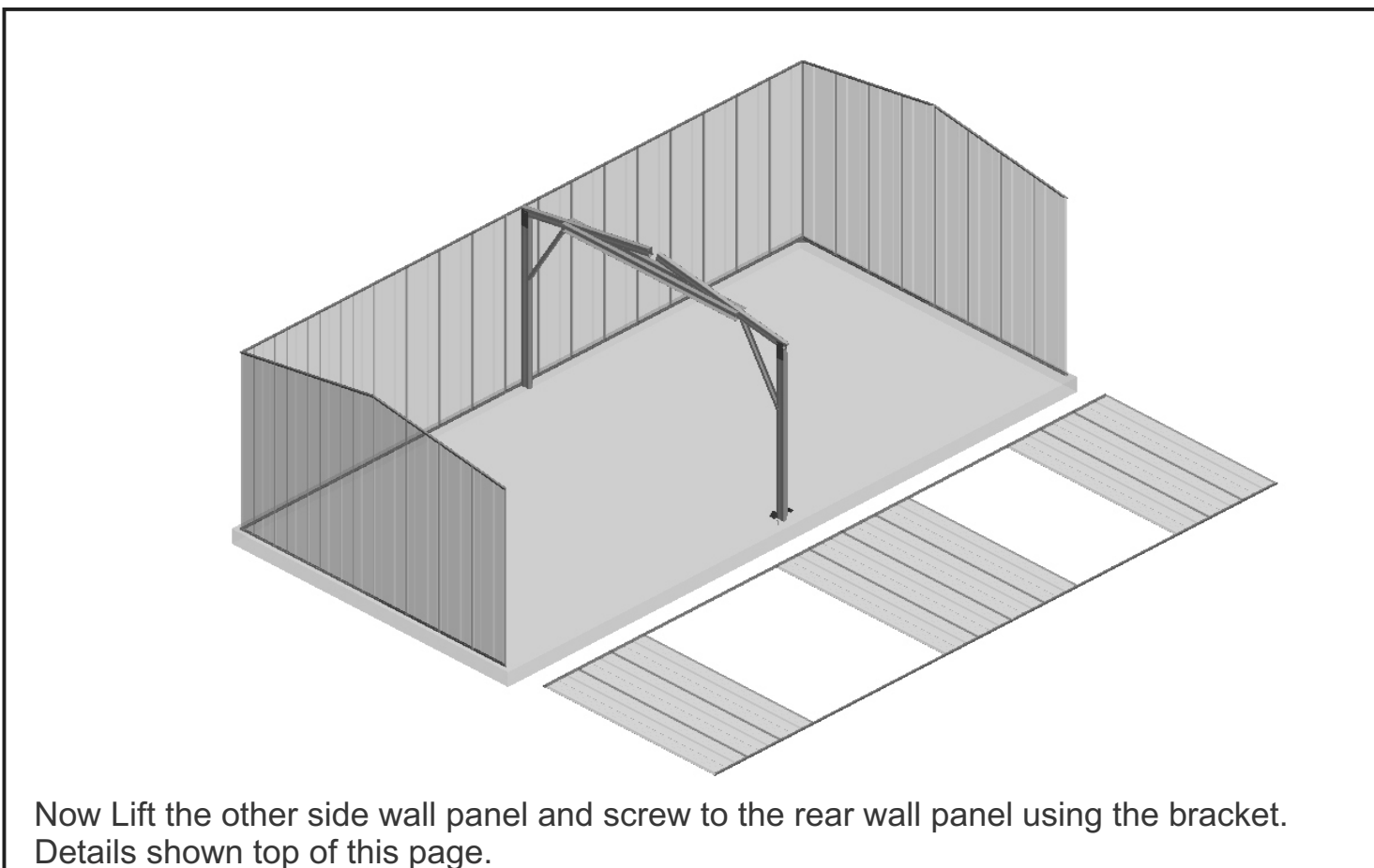
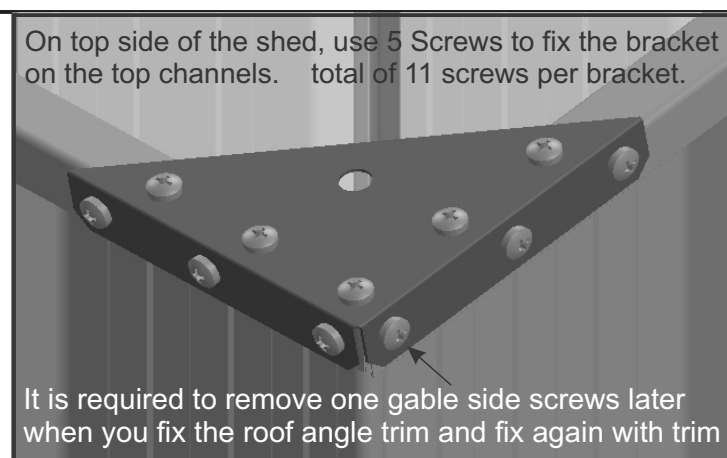
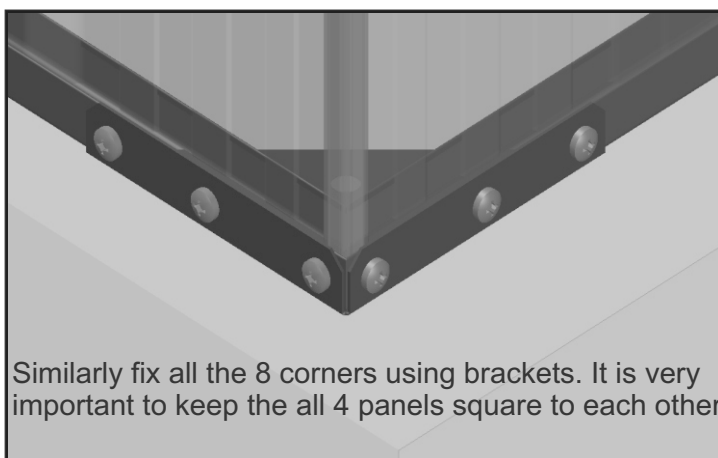
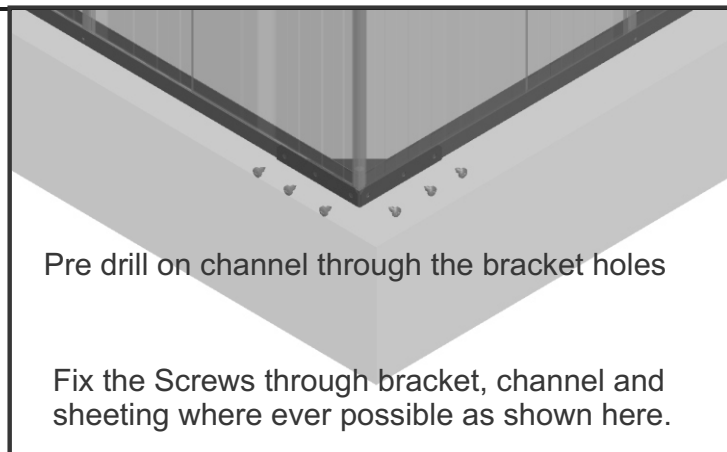
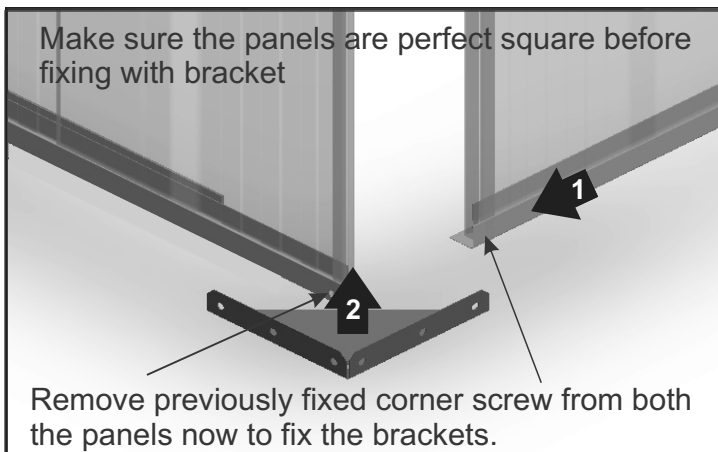


Now Screw the strip to the Rear wall channel as shown, then fix it to the portal. Make sure to fix the portal to the center of the 9th (from 2x2 door side) and 10th. panel ribs join.

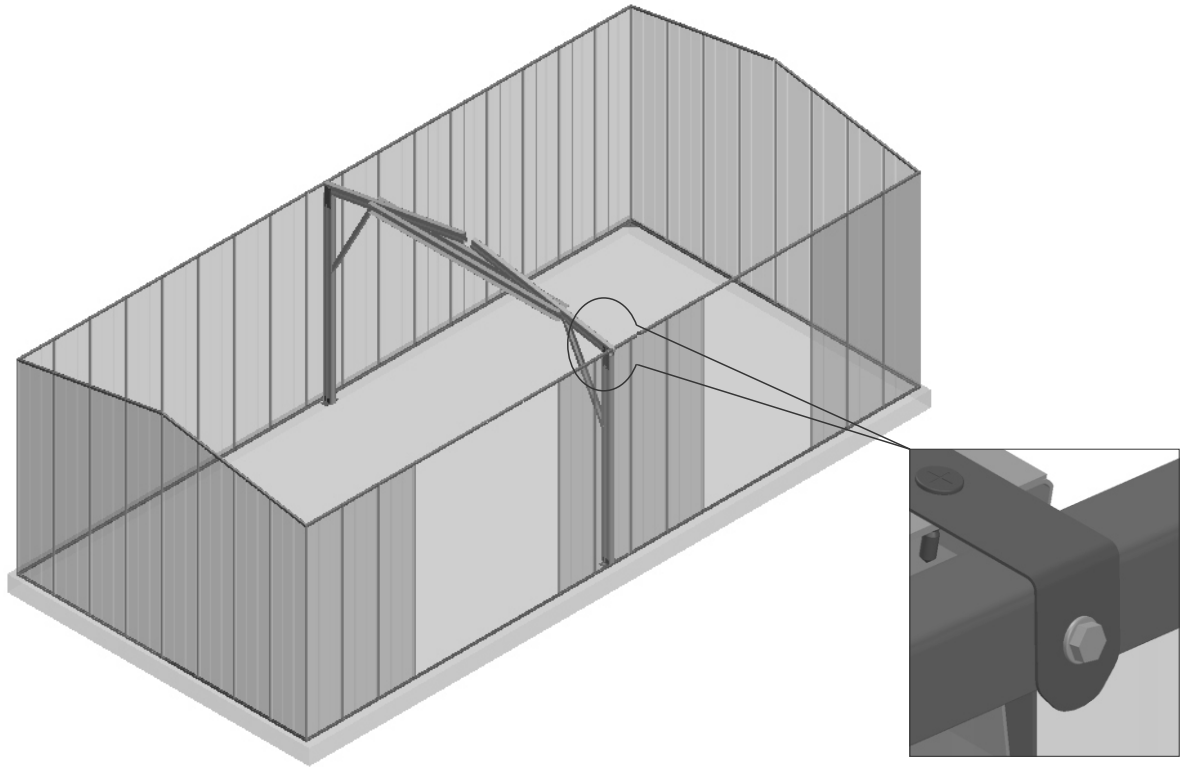


Now Lift the side wall panel and screw to the rear wall panel using bracket as shown over the page.

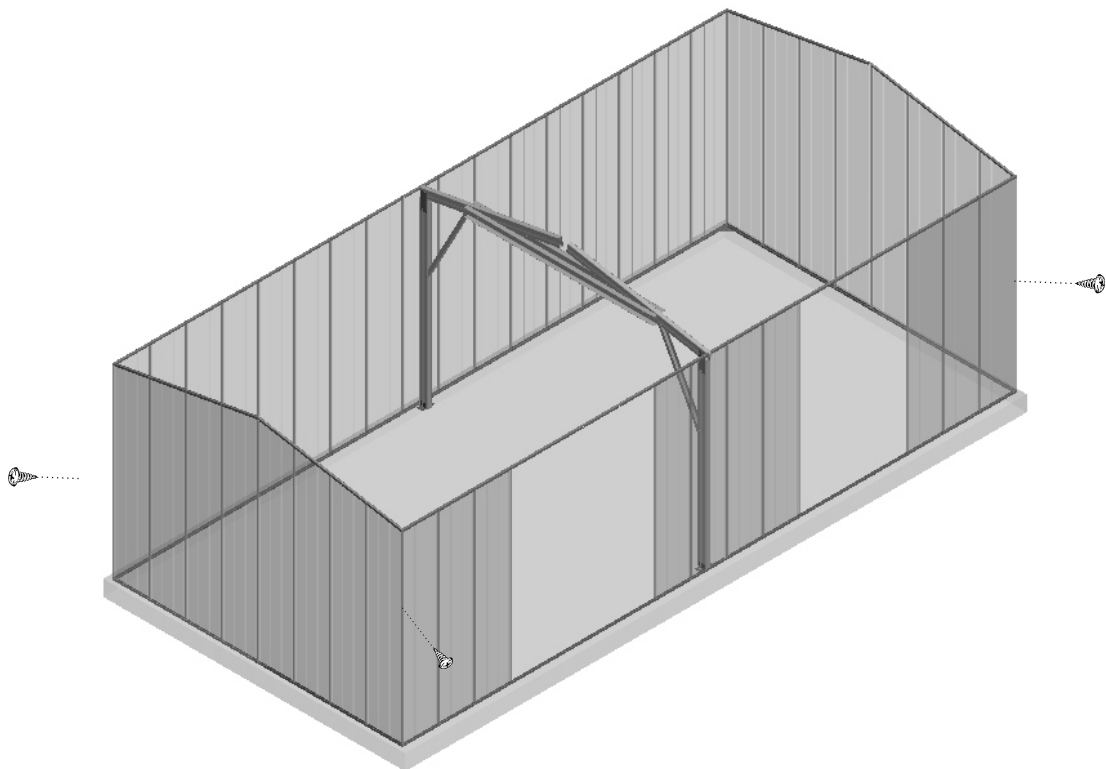
FIT THE REAR & SIDE WALL



FIT THE FRONT WALL

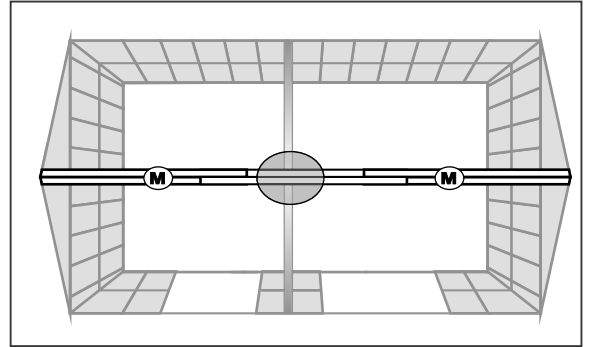
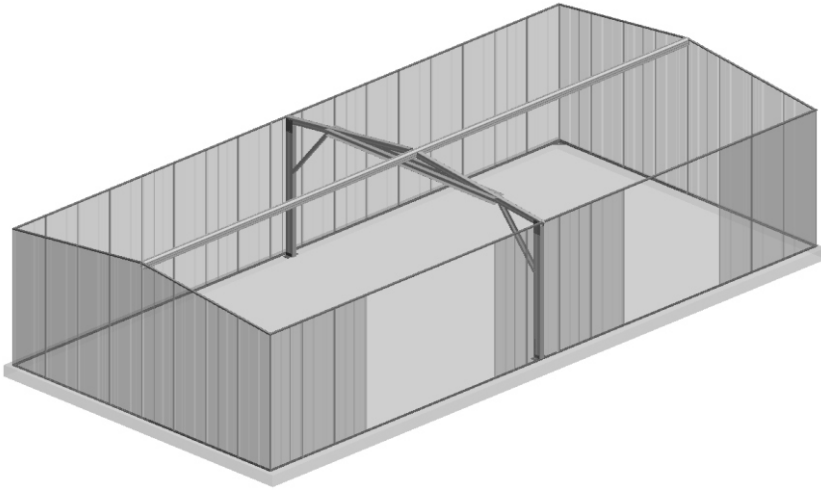


Lift the Front Wall panel to position and join it using the corner brackets as shown previously. Also make sure to fix wall panel with portal using the bend Gusset strip as shown on rear wall fixing.

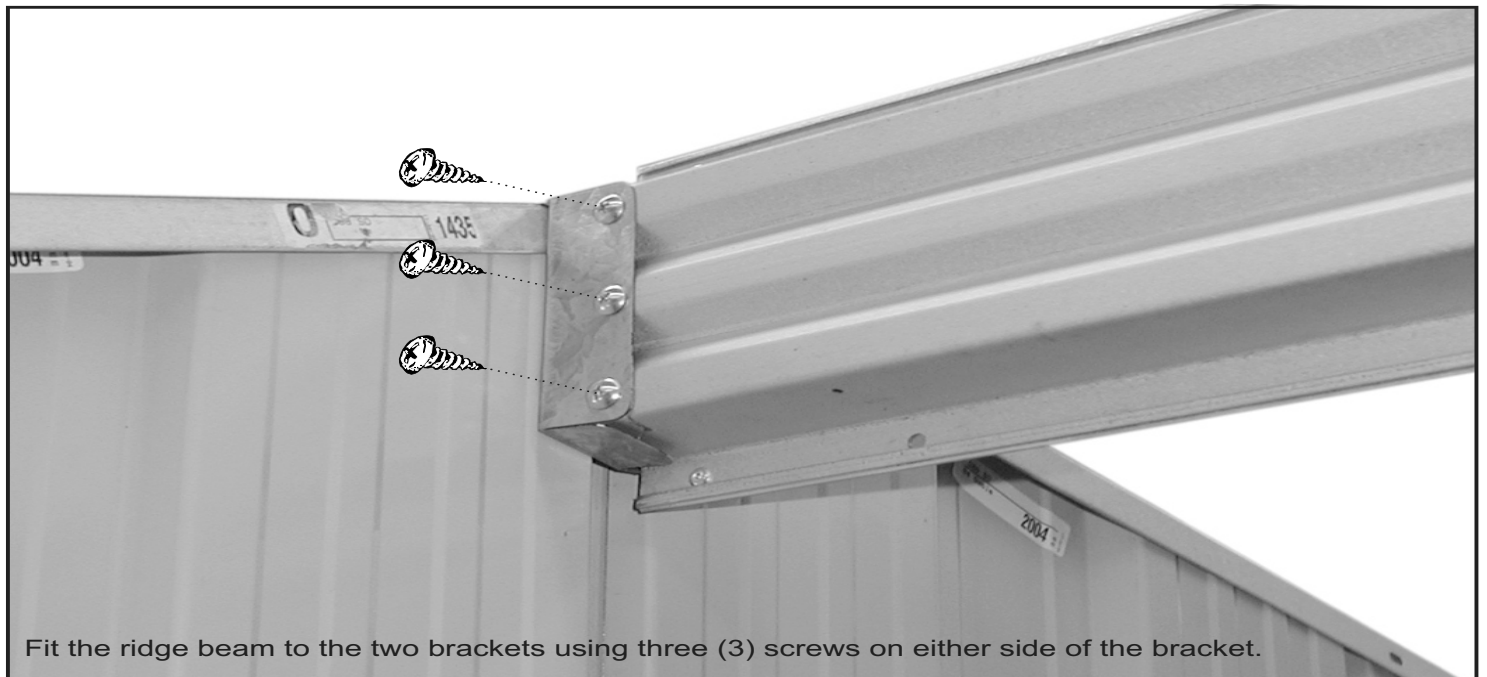
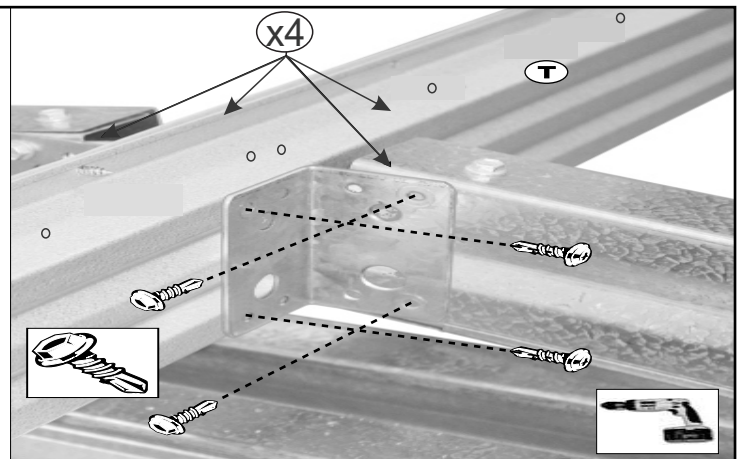
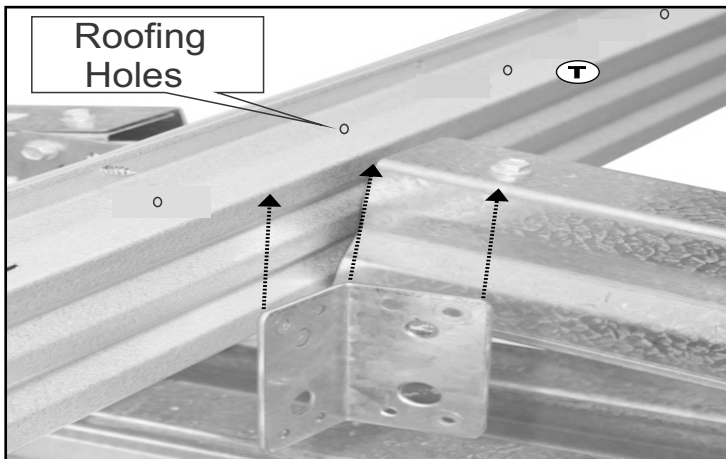


Screw 4 corners at the mid pint of the shed using the pre drilled holes.

ASSEMBLE AND FIT RIDGE BEAM



Fix ridge beam to the portal as shown. Make sure the pre drilled holes for the roof panel are on top.

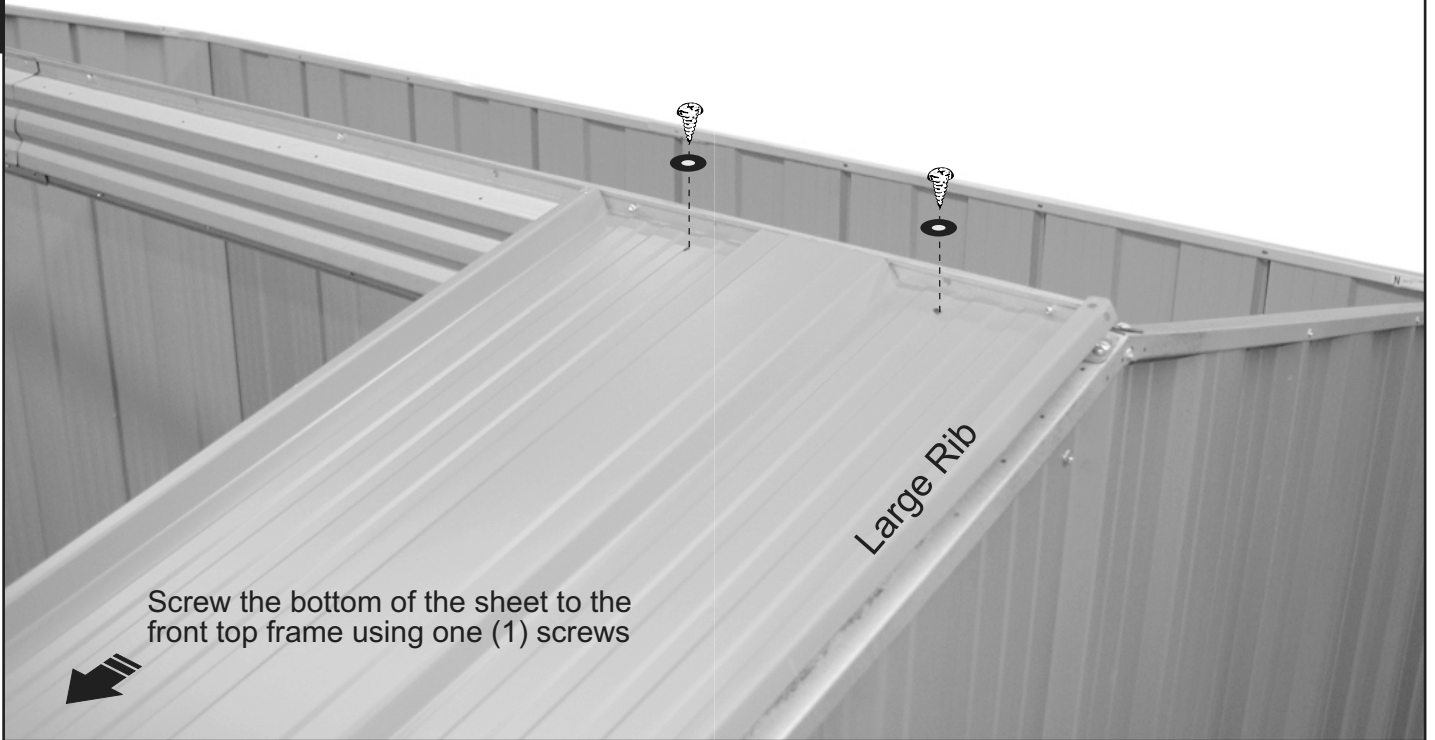


Fit the ridge beam to the two brackets using three (3) screws on either side of the bracket.

FIT ROOF AND TRIMS

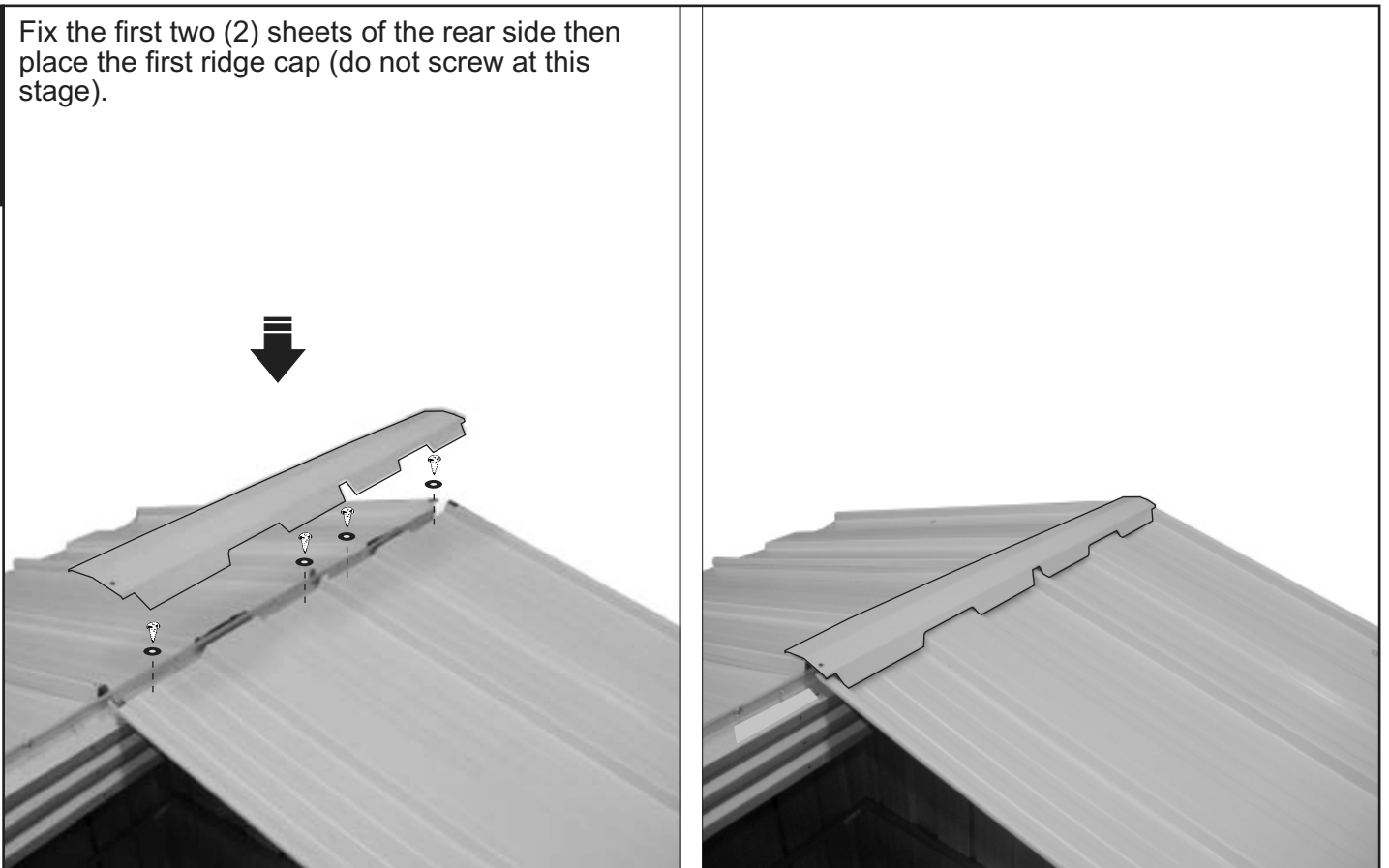
1

Screw the door side of the roof on first (do not start the rear side yet). Work from right to left ensuring the large rib is over the small rib. (If you are installing a skylight, please refer to the instructions at the end of this booklet)



2

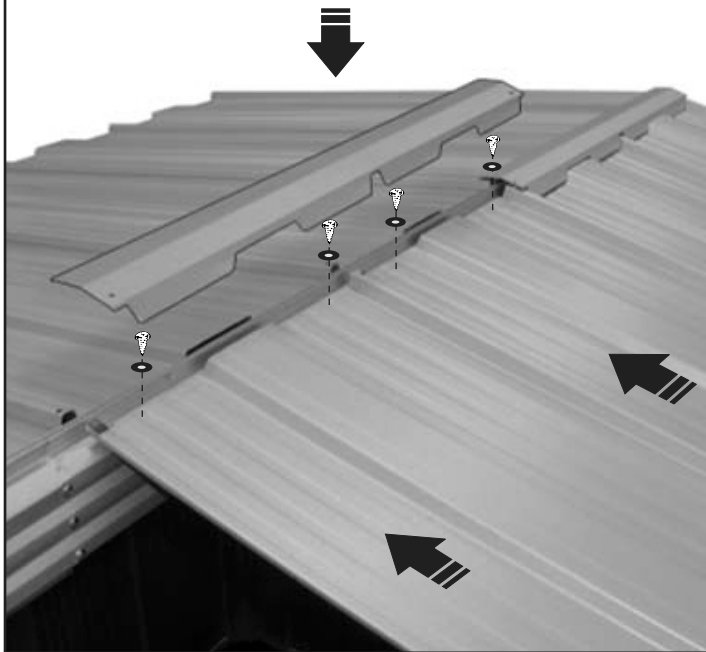
Fix the first two (2) sheets of the rear side then place the first ridge cap (do not screw at this stage).



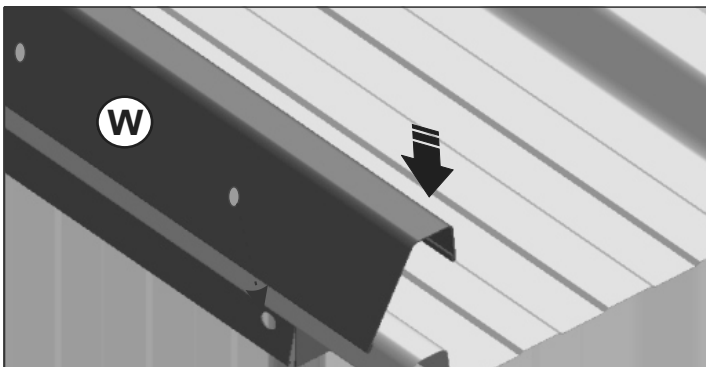
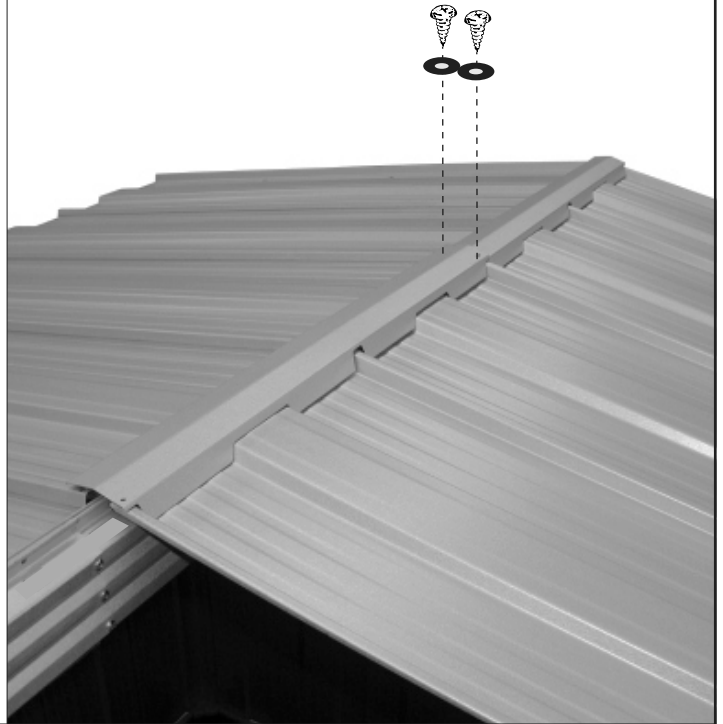
FIT ROOF AND TRIMS

3

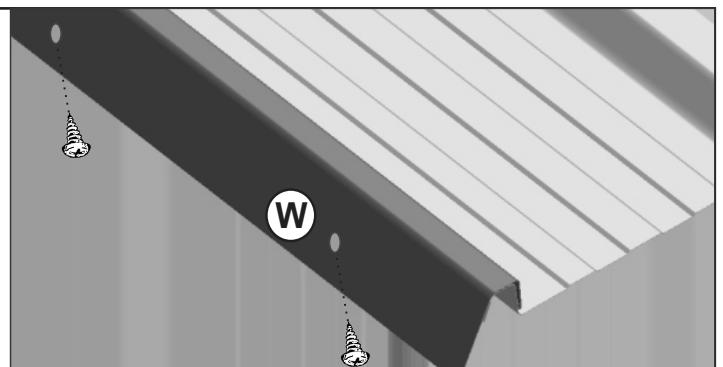
Fix the next two (2) sheets then fit the second ridge cap. Fix this as shown to the right.



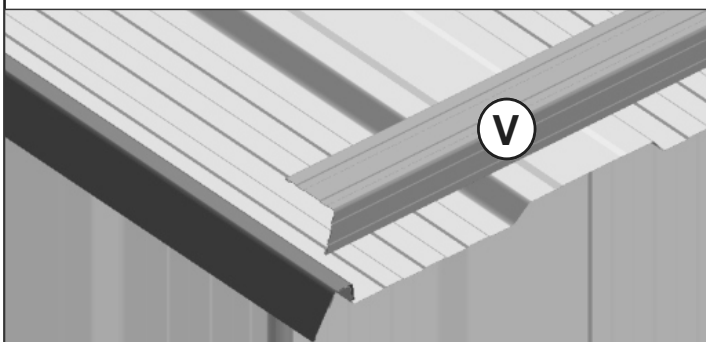
Finish the roof in the same manner.



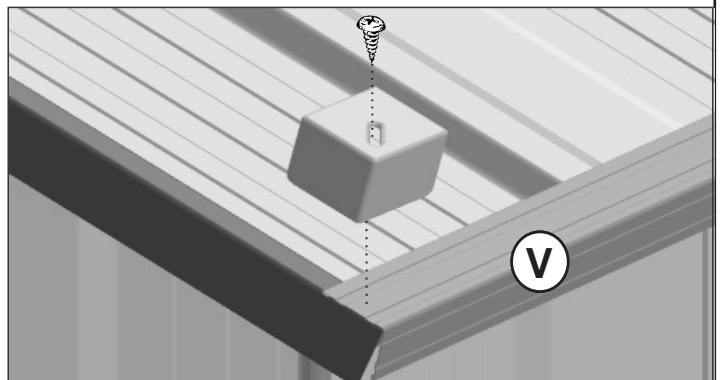
Now remove the screws from the top gable channel including one from the edge of the corner bracket, then place the Roof angle trim as shown.



Now screw it back through the previous hole. Use combination of "W" and "W1" per side gable.

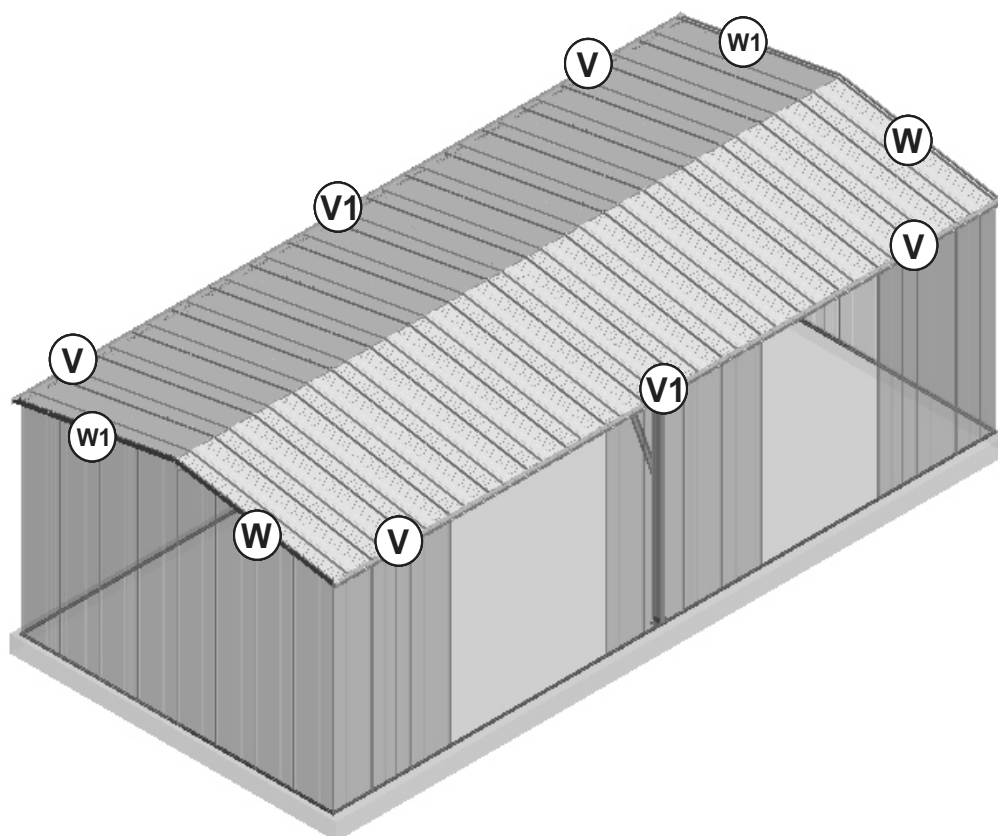


Place the gutter trim on the edge of the roof sheeting as shown.



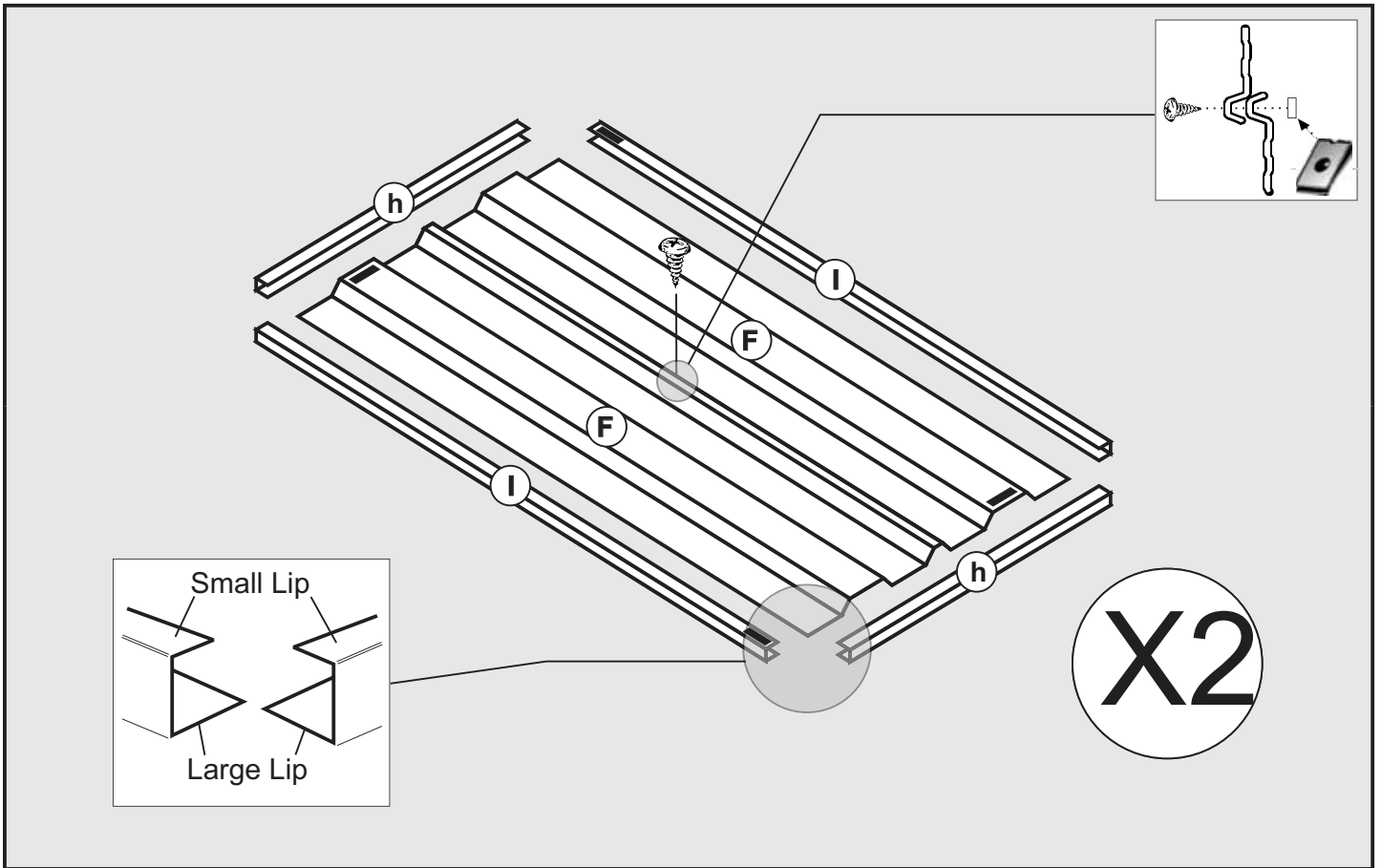
Use the corner plastic cap to fix the corner and screw the corner through all the trim and sheeting.

FIT ROOF AND TRIMS

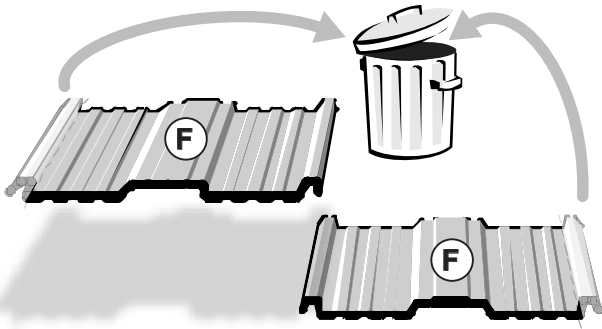


Position the channel as shown here and fix it to the sheeting. Use pre drilled holes to screw through.

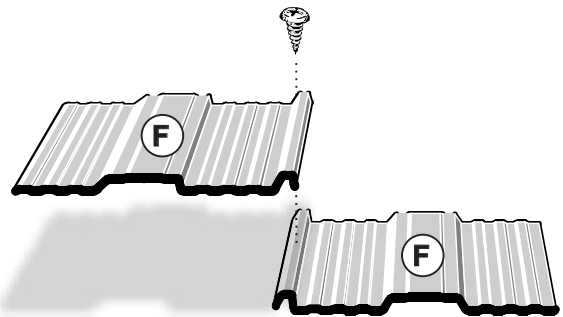
ASSEMBLE DOOR



1



Both of the door sheets come with one rib partially slit. Break them off and discard them.



Screw the sheets in the centre.

2

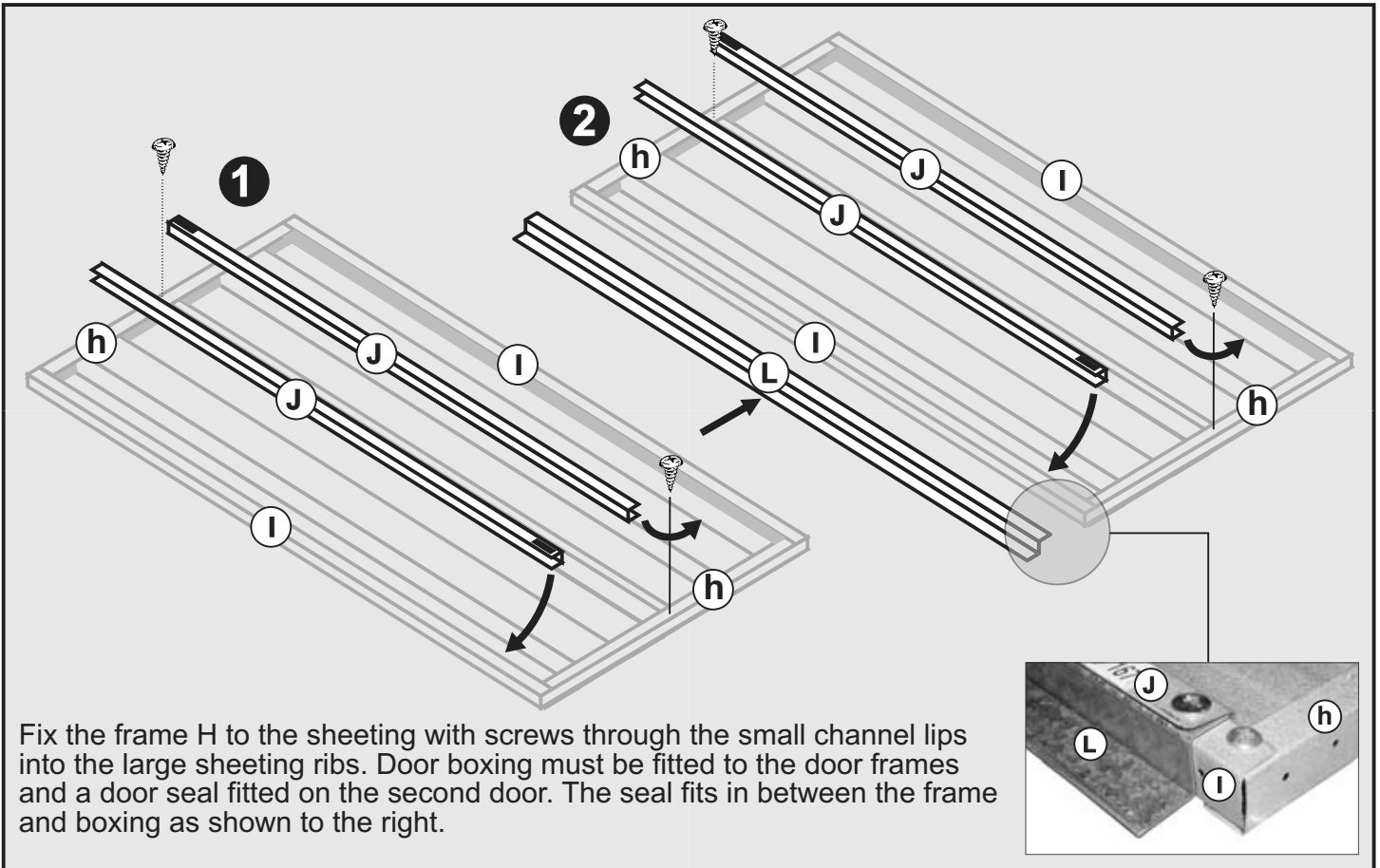
Frames slide under the sheet as shown. Ensure the small lip of the frame is to the top.



Fix door frames with a screw in each corner. Ensure that the big hole sits over the small.

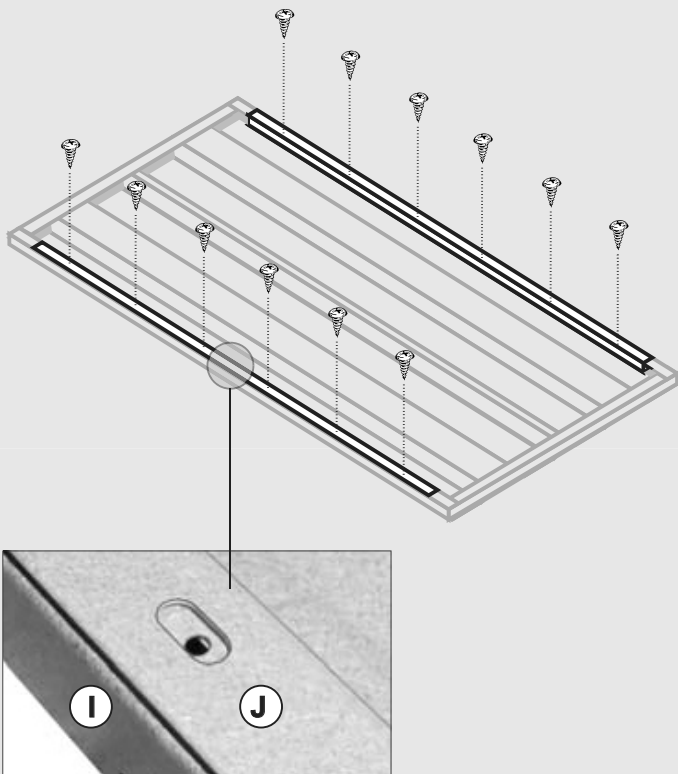


ASSEMBLE DOOR



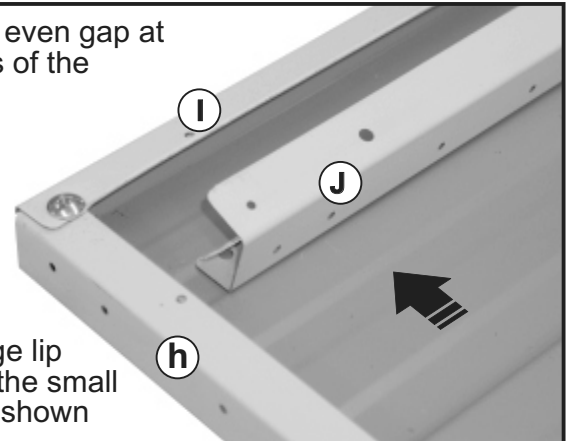
Fix the frame H to the sheeting with screws through the small channel lips J into the large sheeting ribs I. Door boxing must be fitted to the door frames and a door seal fitted on the second door. The seal fits in between the frame and boxing as shown to the right.

3

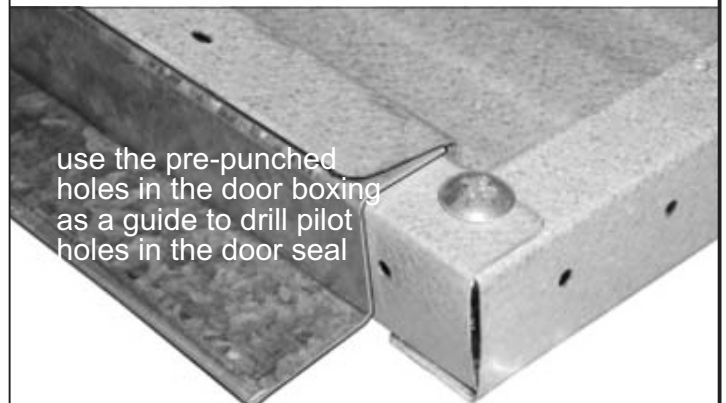


Fix each of the door boxing in place using six (6) screws.

Leave an even gap at both ends of the boxing.

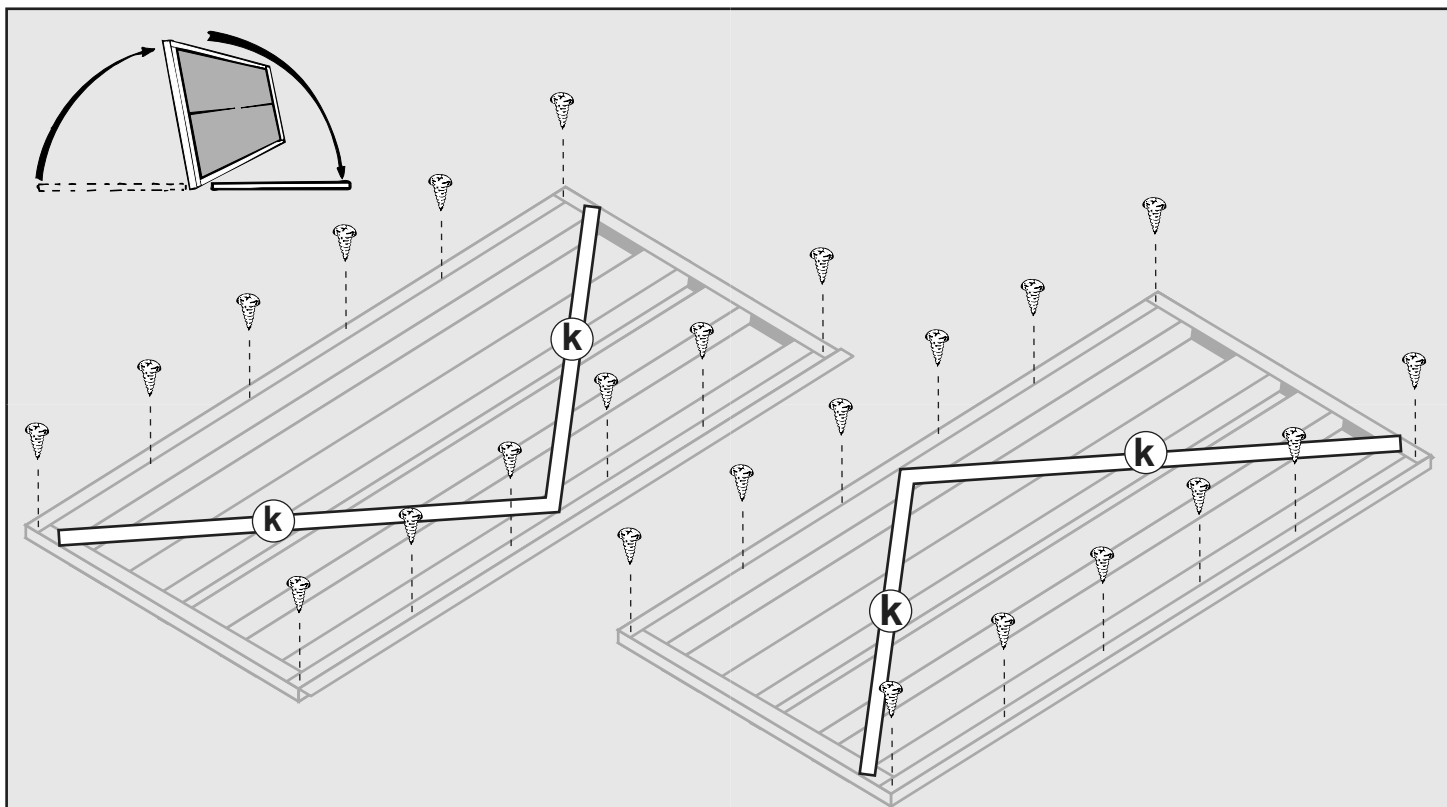


Place large lip of J over the small lip of I as shown



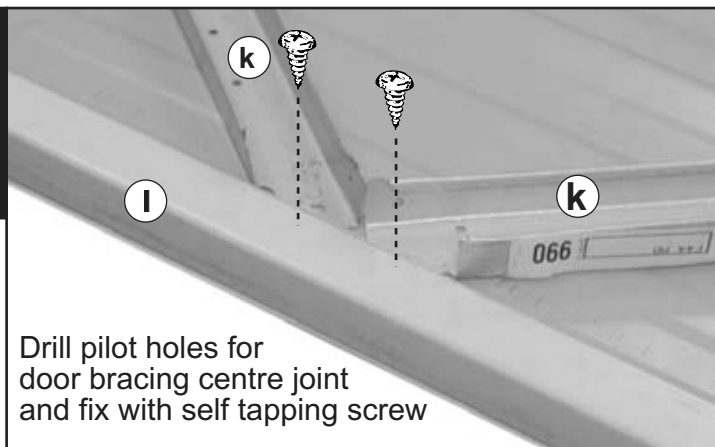
Fix door seal on door number 2

ASSEMBLE DOOR



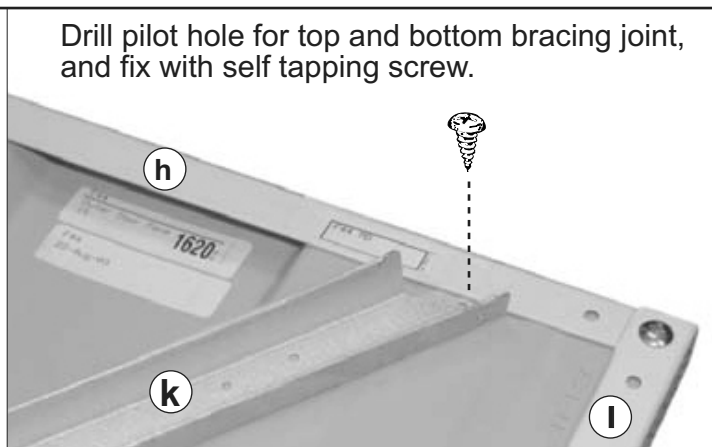
Flip the door assembly's over and fix the door frames with screws evenly spaced as shown above. Door bracing will also need to be fitted to the doors to ensure sturdiness.

4

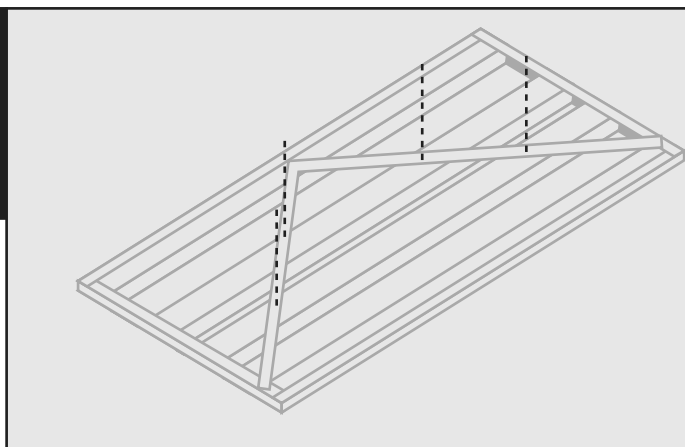


Drill pilot holes for door bracing centre joint and fix with self tapping screw

Drill pilot hole for top and bottom bracing joint, and fix with self tapping screw.



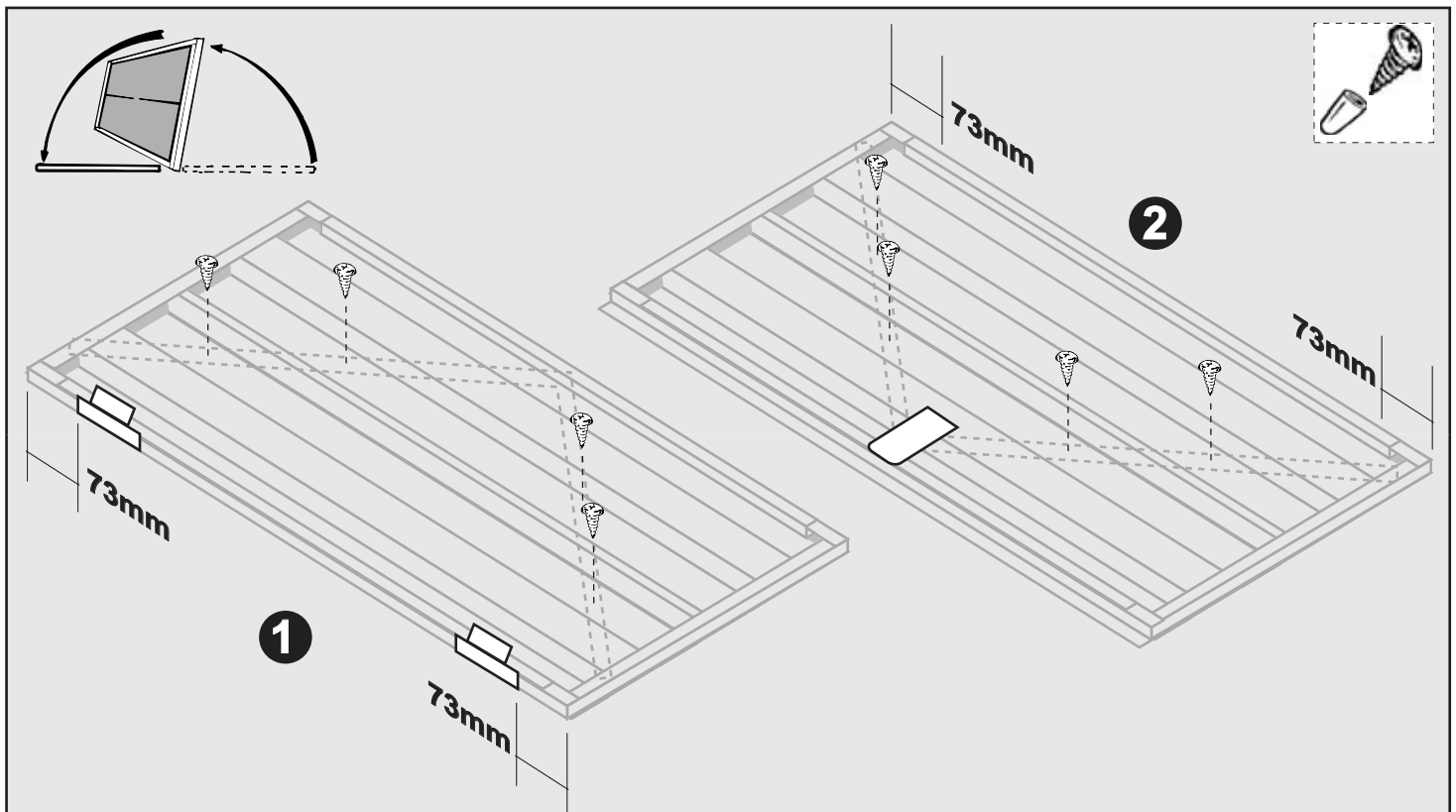
5



Use the 2.5mm drill bit to drill pilot holes through the door bracing into the door sheeting.

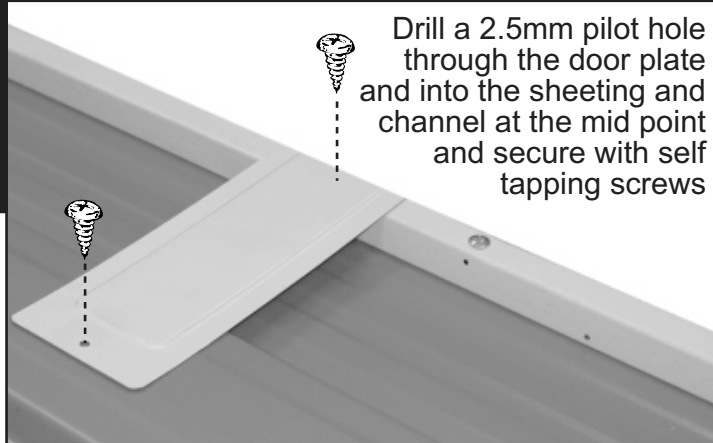
DO NOT FASTEN BRACING YET

ASSEMBLE DOOR

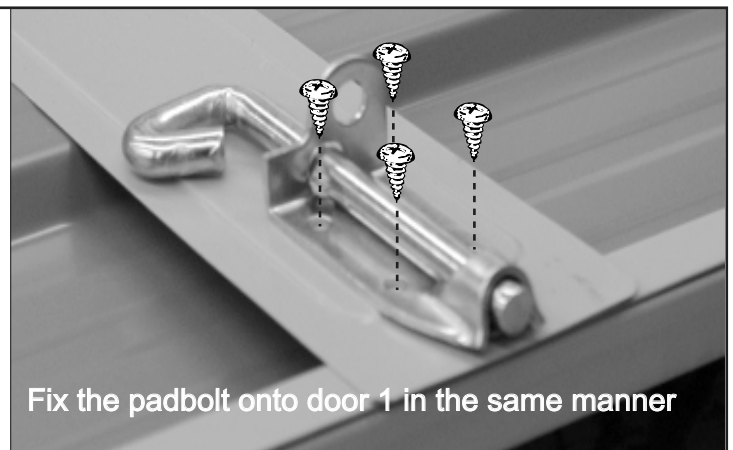


Flip the door back over to the front side facing up. Using the pilot holes drilled before, fix the door bracing from the front with self tapping screws.

6

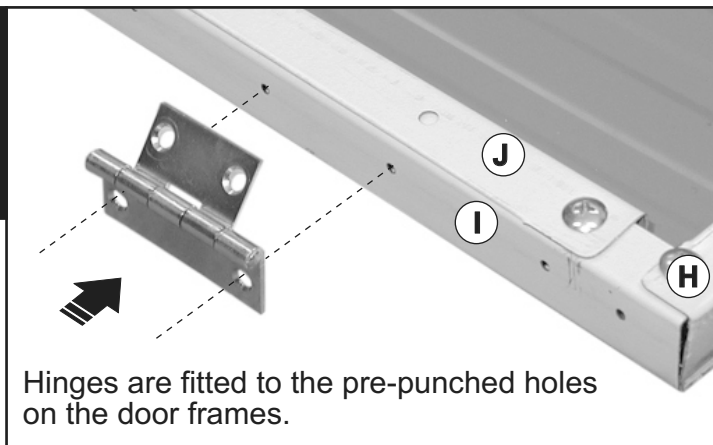


Drill a 2.5mm pilot hole through the door plate and into the sheeting and channel at the mid point and secure with self tapping screws

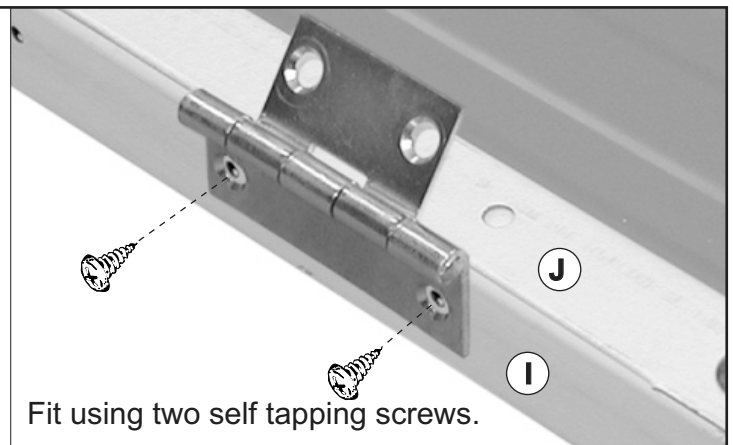


Fix the padbolt onto door 1 in the same manner

7



Hinges are fitted to the pre-punched holes on the door frames.

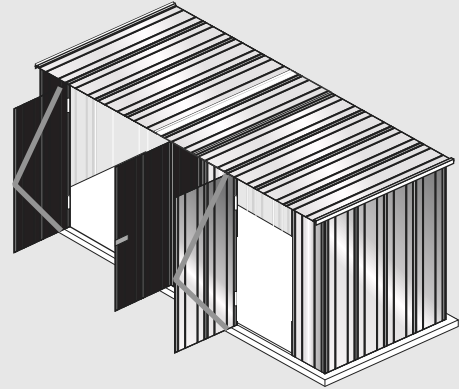


Fit using two self tapping screws.

HANG DOOR

NOTE: The diagram below shows a flat roof shed. The assembly process is the same for all sheds.

Fit the doors by fixing the hinges to the pre-drilled holes in the door jambs. Fit the padbolt and keeper to the front of the doors. To finish, fix padbolts to the inside, top and bottom of the door with the seal attached.



1



2



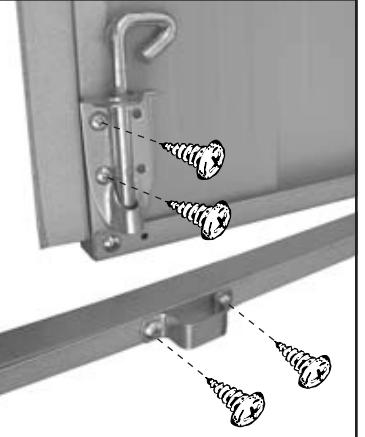
Drill pilot holes to accommodate the padbolt keeper and then fix with self tapping screws

3

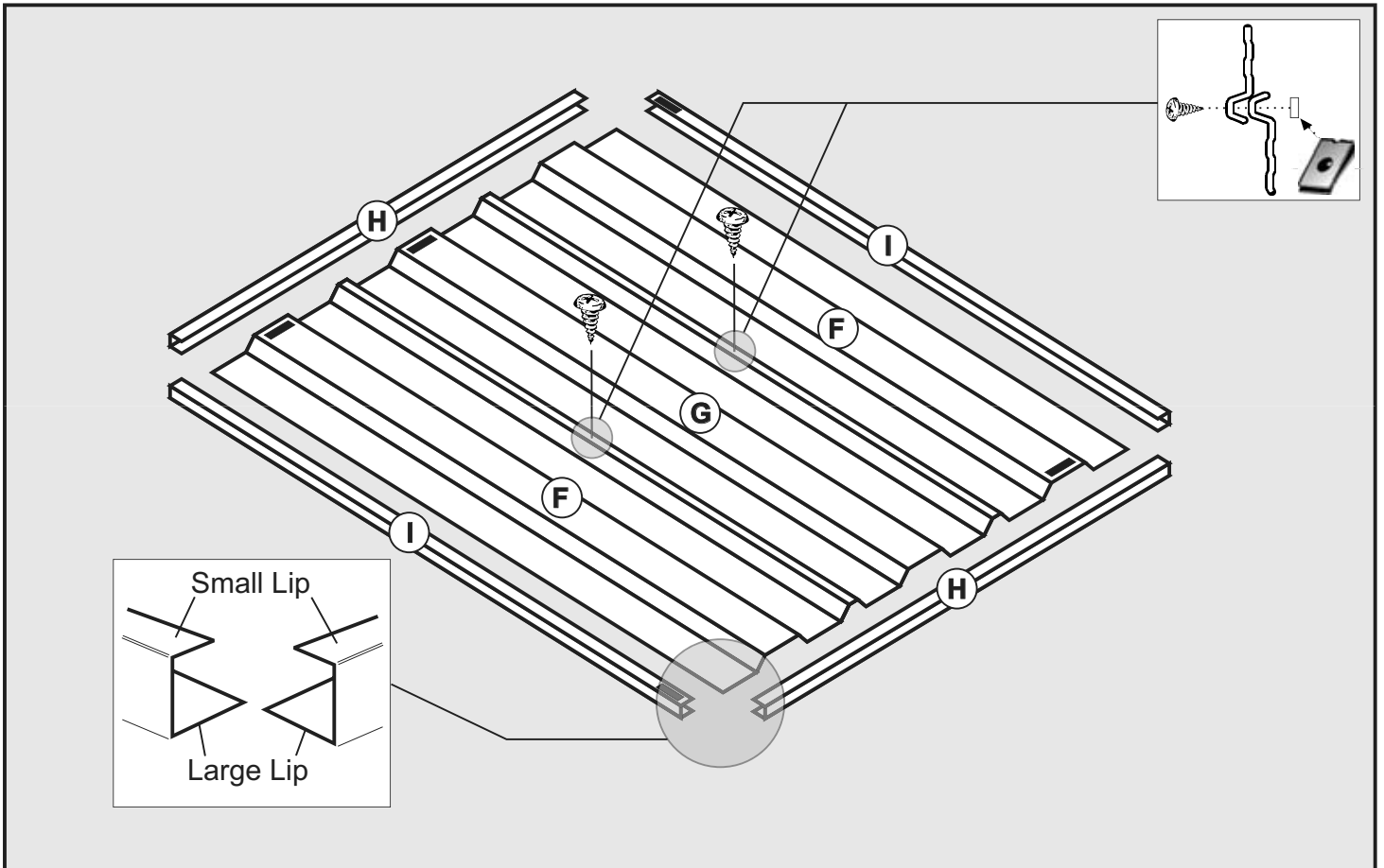
Drill pilot holes into the inside of the door frame of the second door next to the door seal and then fix with self tapping screws.



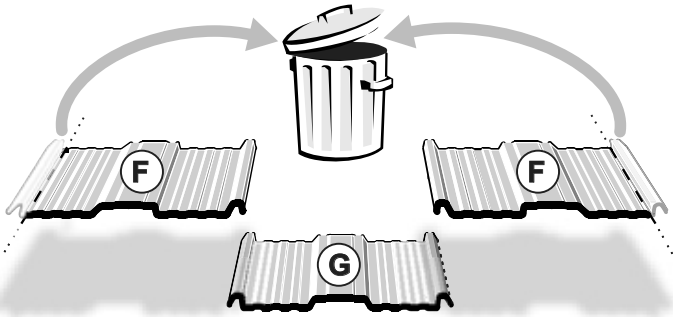
Drill pilot holes into the inside of the front wall bottom channel to accommodate the padbolt keeper and then fix with self tapping screws



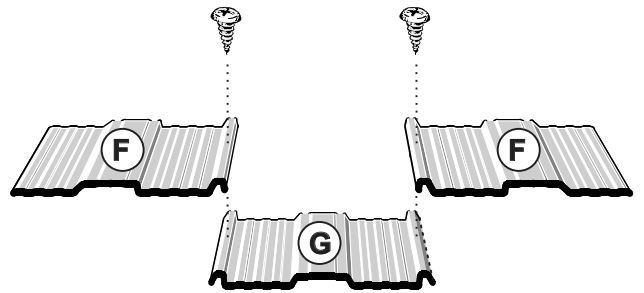
ASSEMBLE DOOR



1



Two of the door sheets come with one rib partially slit. Break them off and discard them.



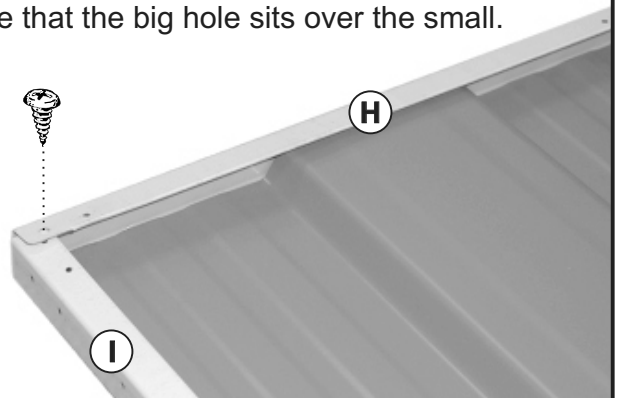
Screw the sheets in the centre.

2

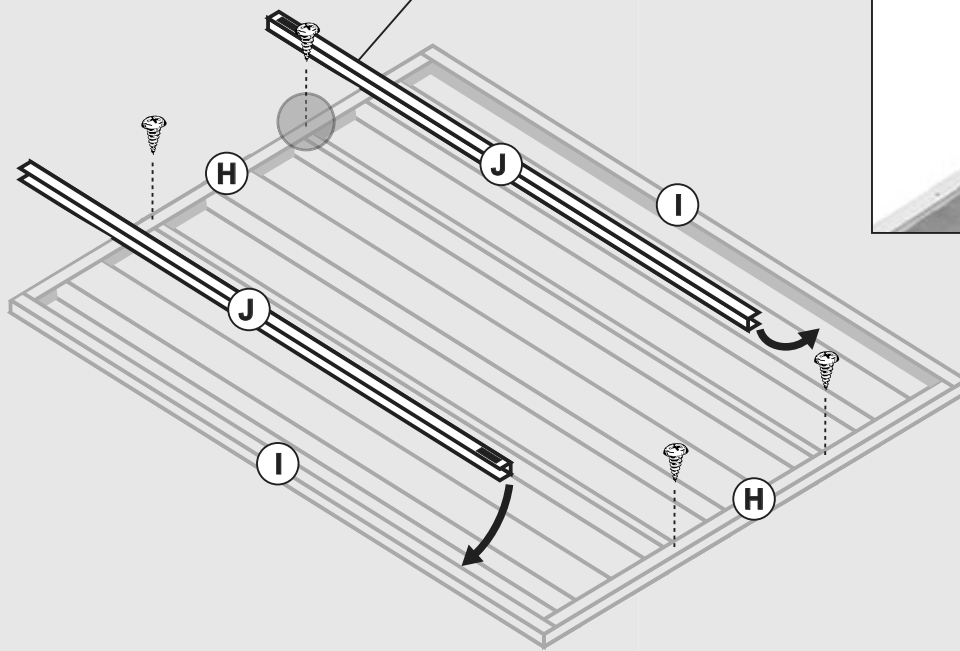
Frames slide under the sheet as shown. Ensure the small lip of the frame is to the top.



Fix door frames with a screw in each corner. Ensure that the big hole sits over the small.



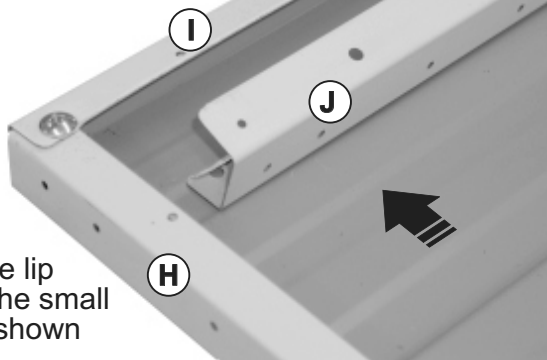
ASSEMBLE DOOR



Fix the frame H to the sheeting with screws through the small channel lips into the large sheeting ribs. Door boxing must be fitted to the door frame.

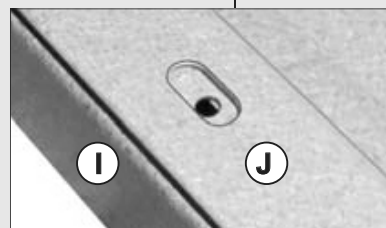
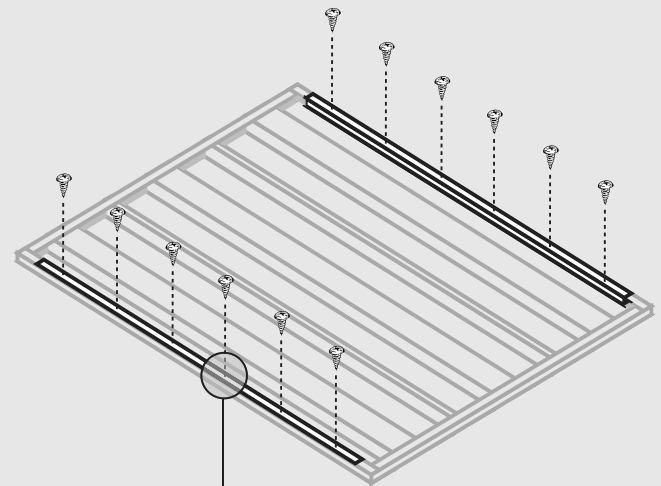
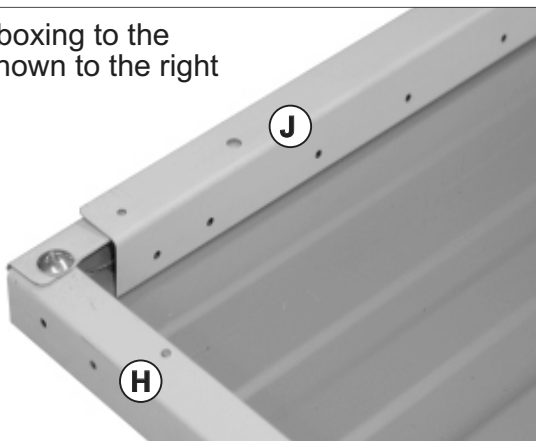
3

Leave an even gap at both ends of the boxing.



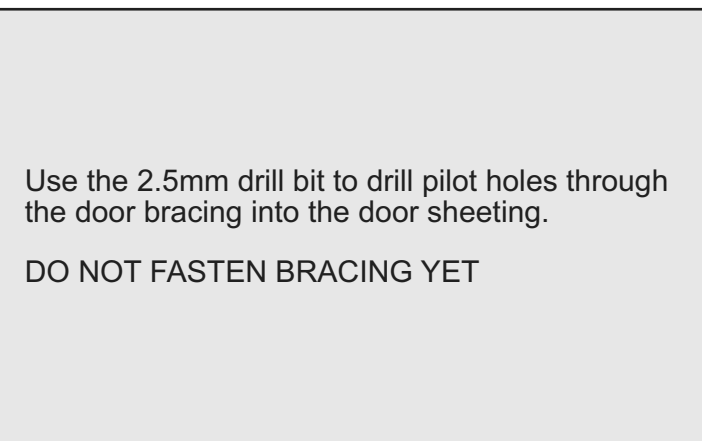
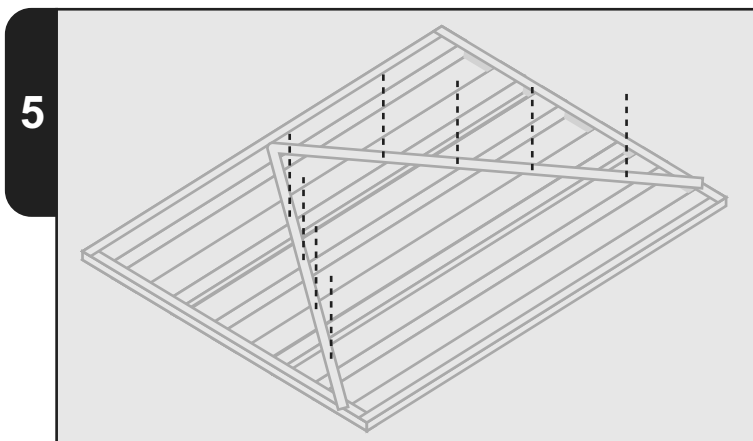
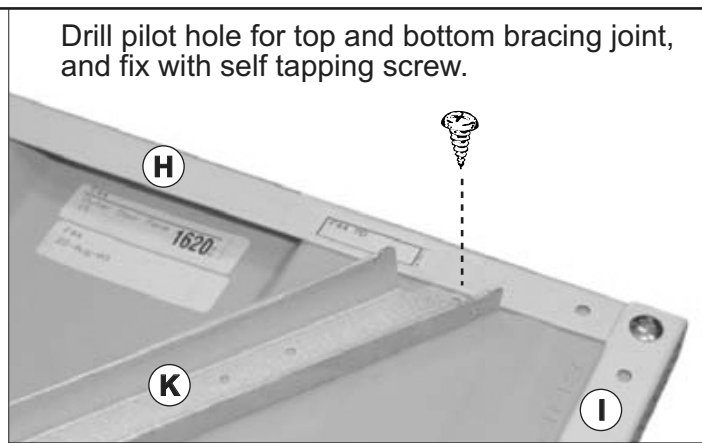
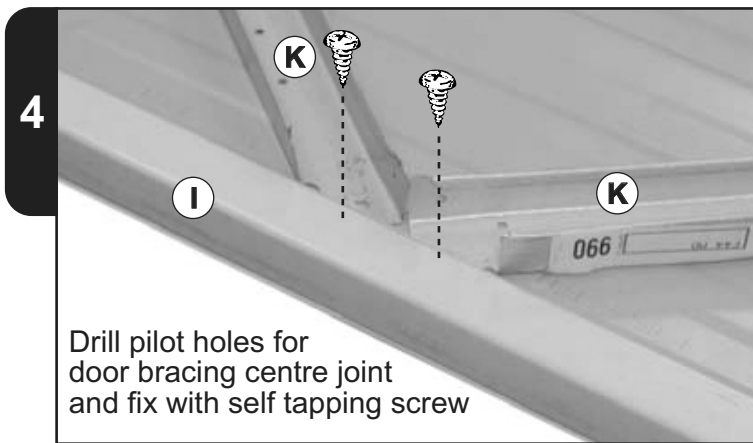
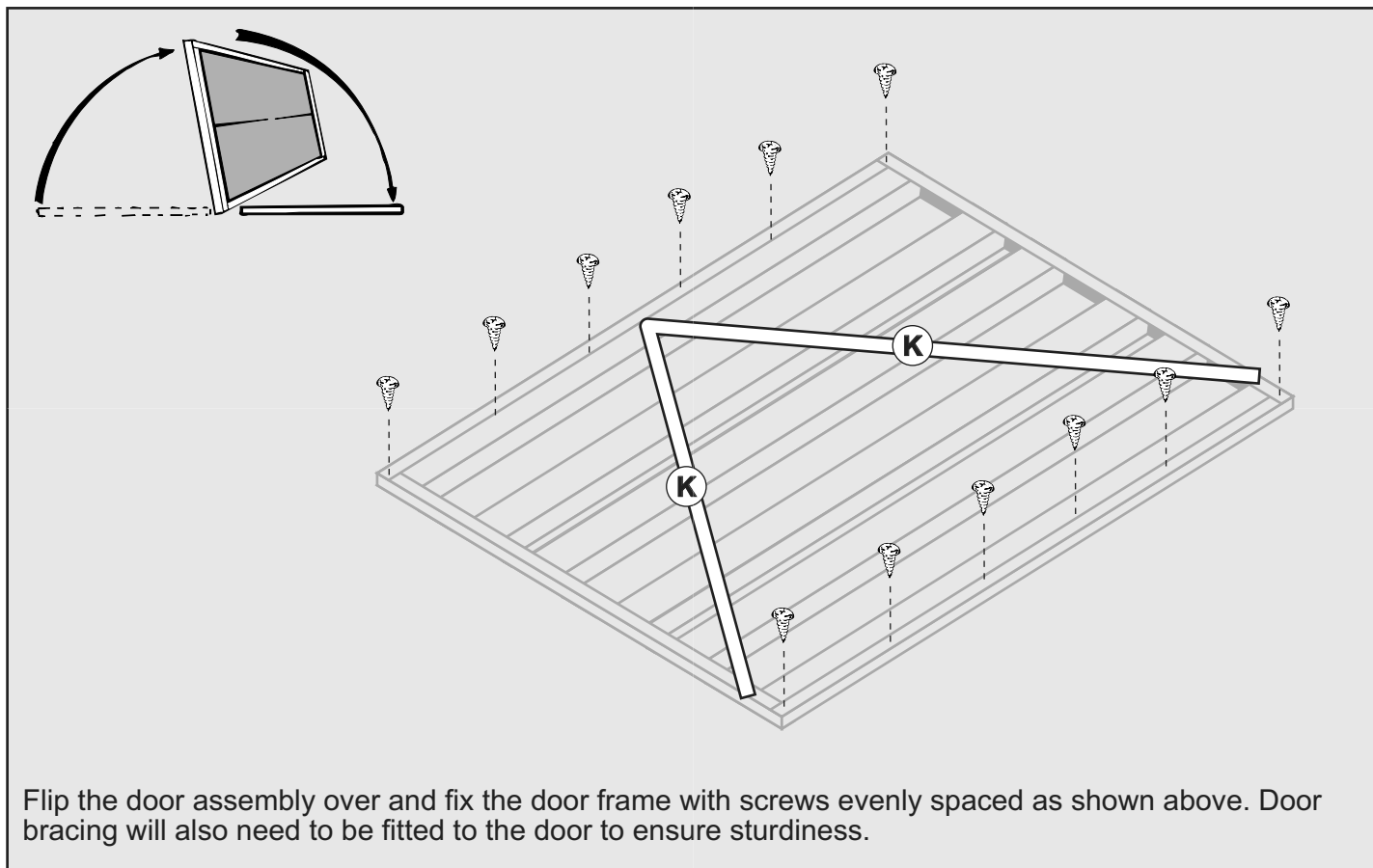
Place large lip of J over the small lip of I as shown

Screw the boxing to the frame as shown to the right

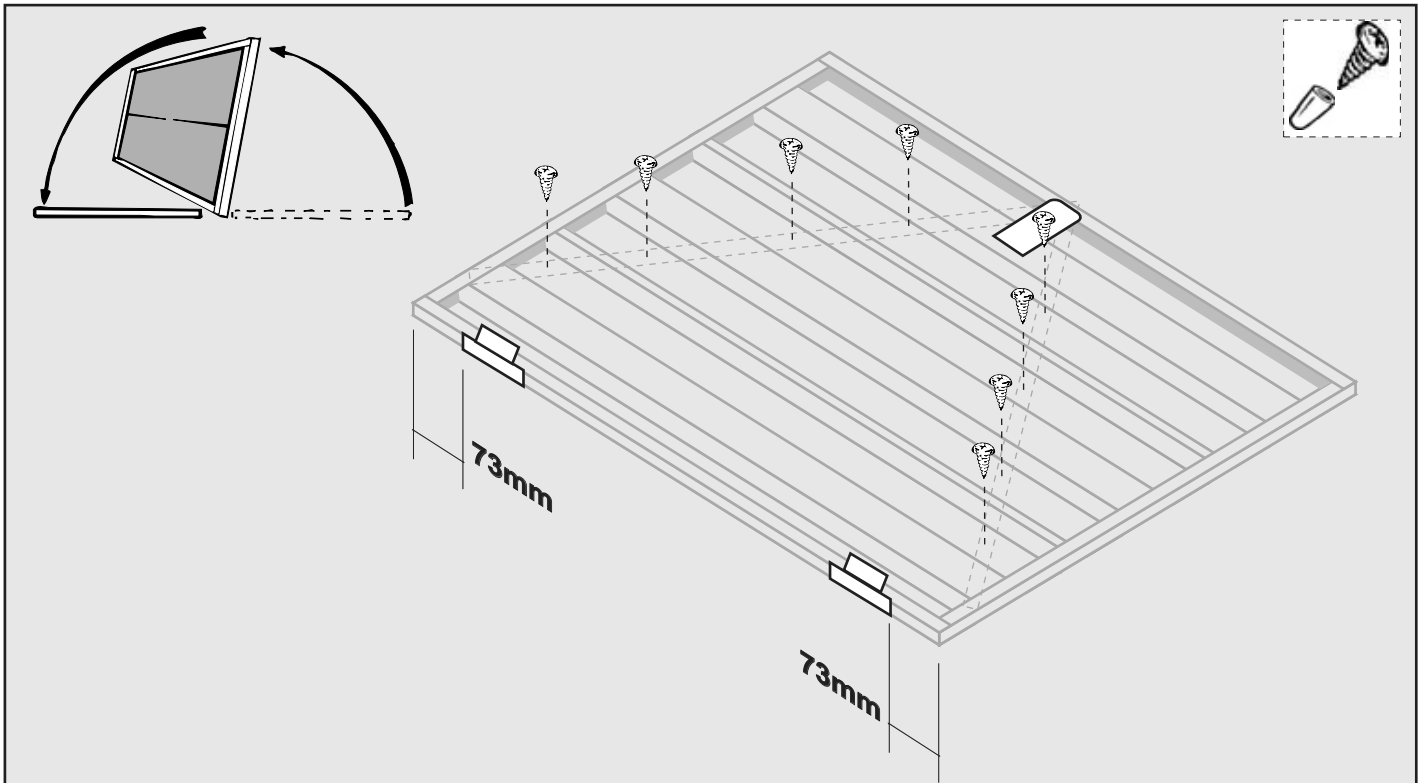


Fix both door boxing in place using six (6) screws.

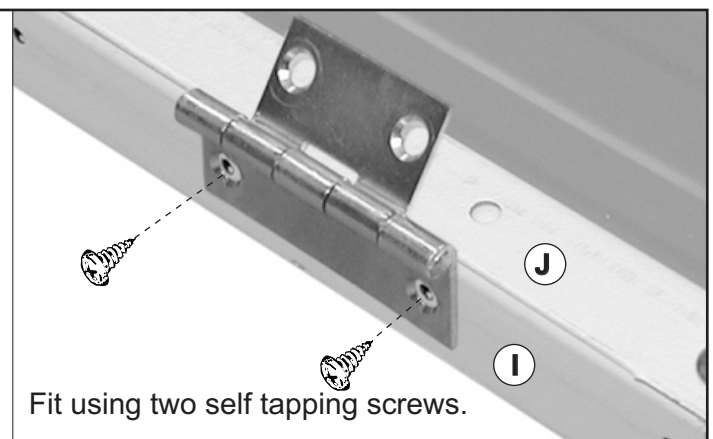
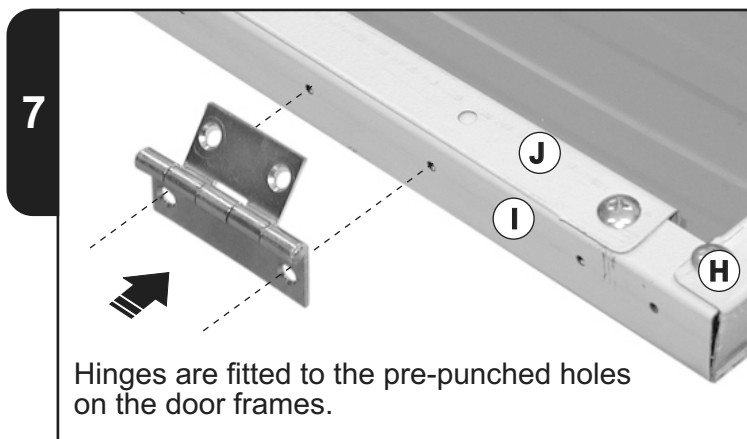
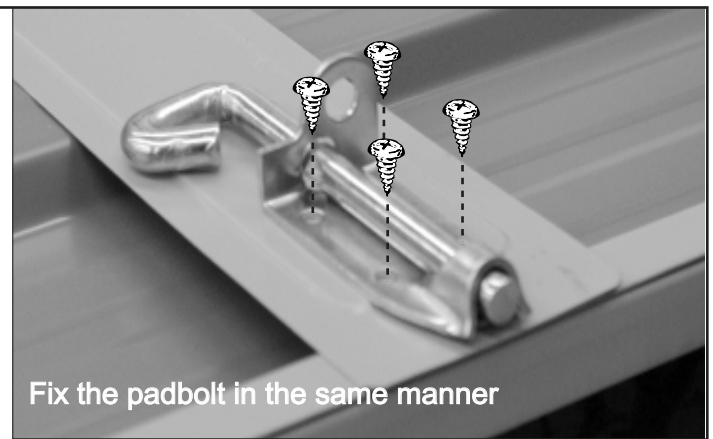
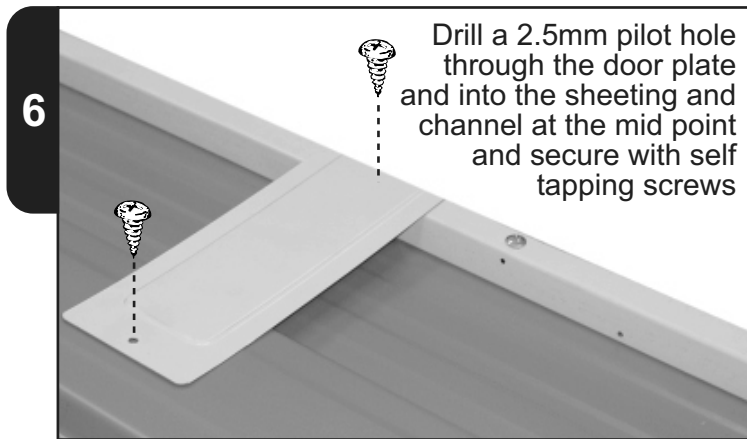
ASSEMBLE DOOR



ASSEMBLE DOOR

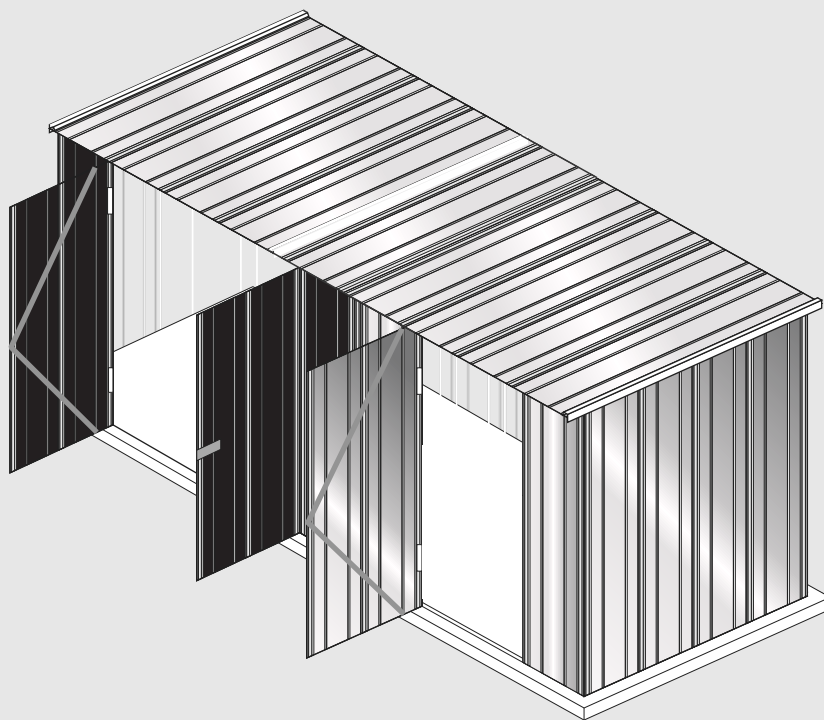


Flip the door back over to the front side facing up. Using the pilot holes drilled before, fix the door bracing from the front with self tapping screws.



HANG DOOR

NOTE: The diagram below shows a flat roof shed. The assembly process is the same for all sheds.



Fit the door to the left or right by fixing the hinges to the pre-drilled holes in the door jambs then fit the padbolt keeper.

1



2



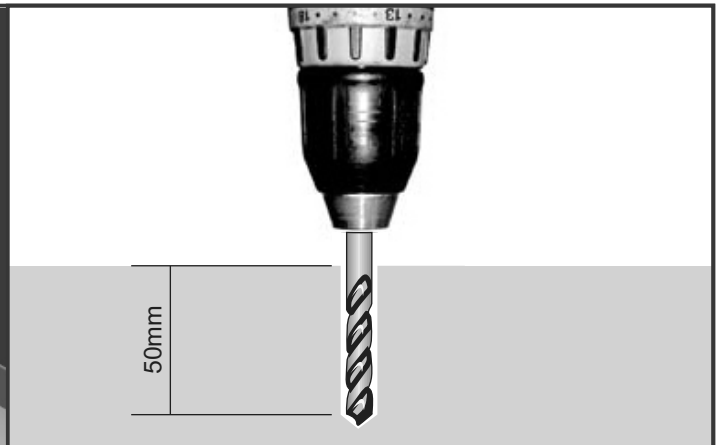
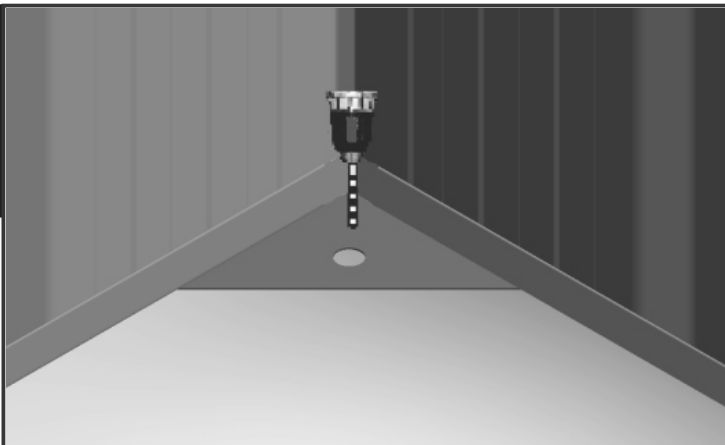
Drill pilot holes to accommodate the padbolt keeper and then fix with self tapping screws

BOLT DOWN

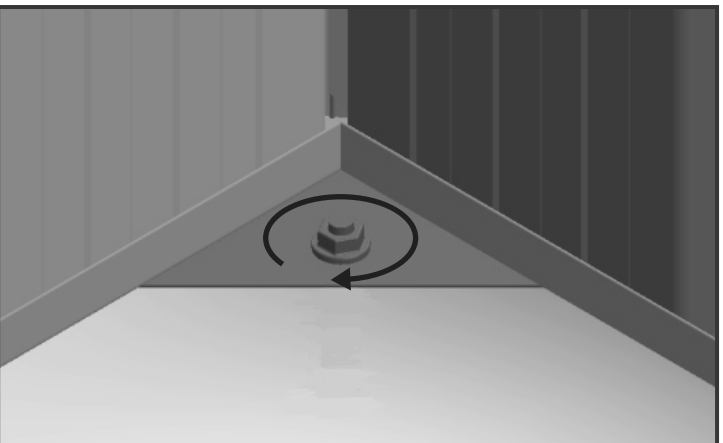
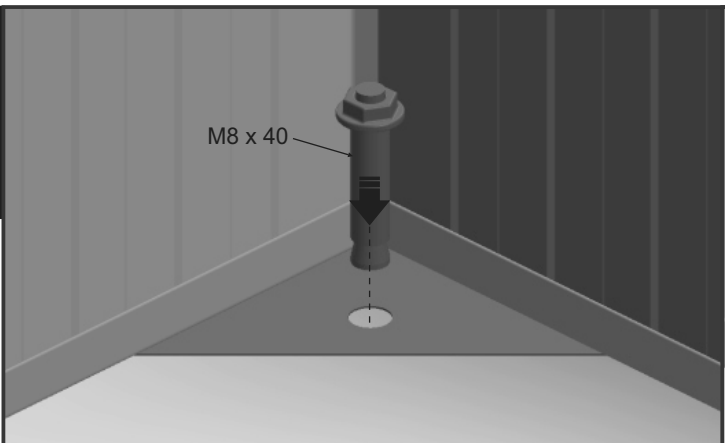


Bolt the shed down through the four corner brackets as shown. Ensure the shed is square.

1



2

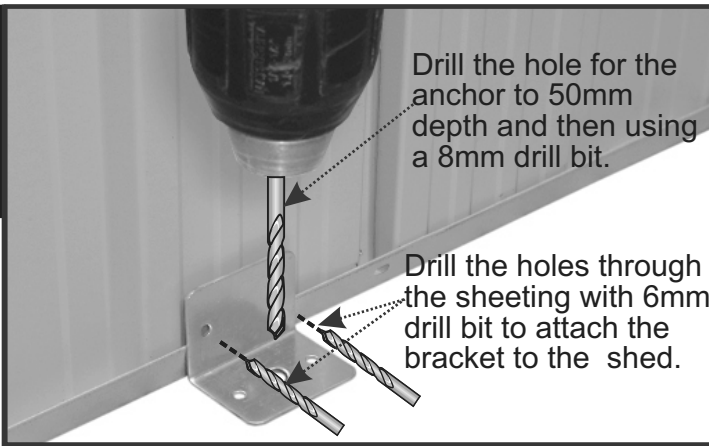


BOLT DOWN



Bolt the shed down through the angle brackets as shown.

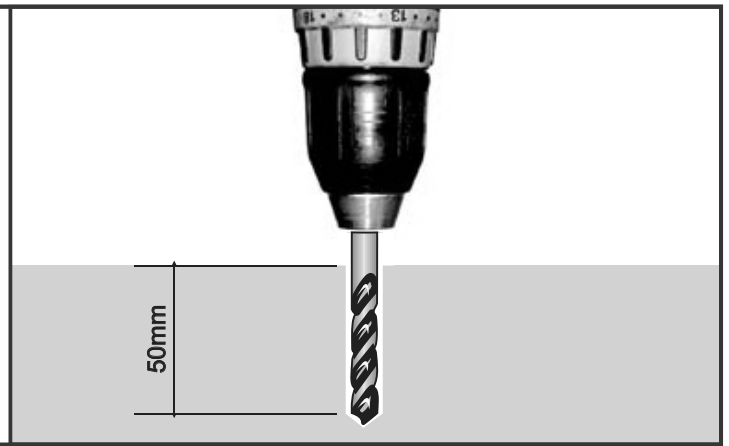
1



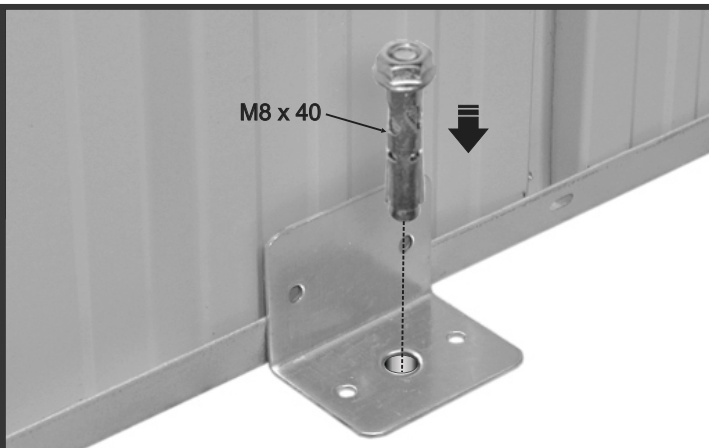
Drill the hole for the anchor to 50mm depth and then using a 8mm drill bit.

Drill the holes through the sheeting with 6mm drill bit to attach the bracket to the shed.

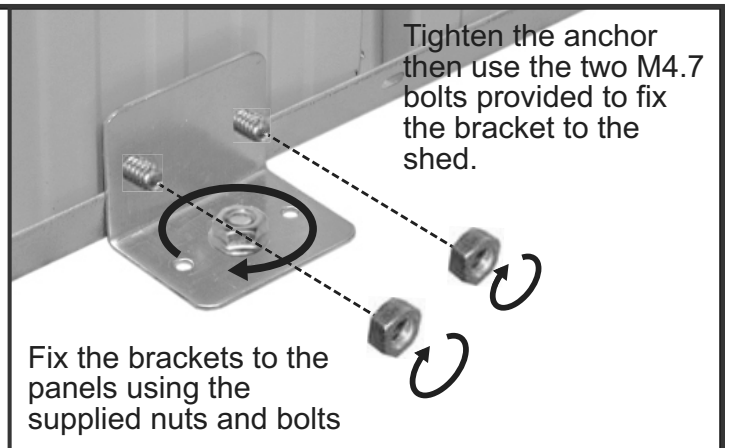
50mm



2



M8 x 40



Tighten the anchor then use the two M4.7 bolts provided to fix the bracket to the shed.

Fix the brackets to the panels using the supplied nuts and bolts

NOTES

FIT SKYLIGHT (OPTIONAL)

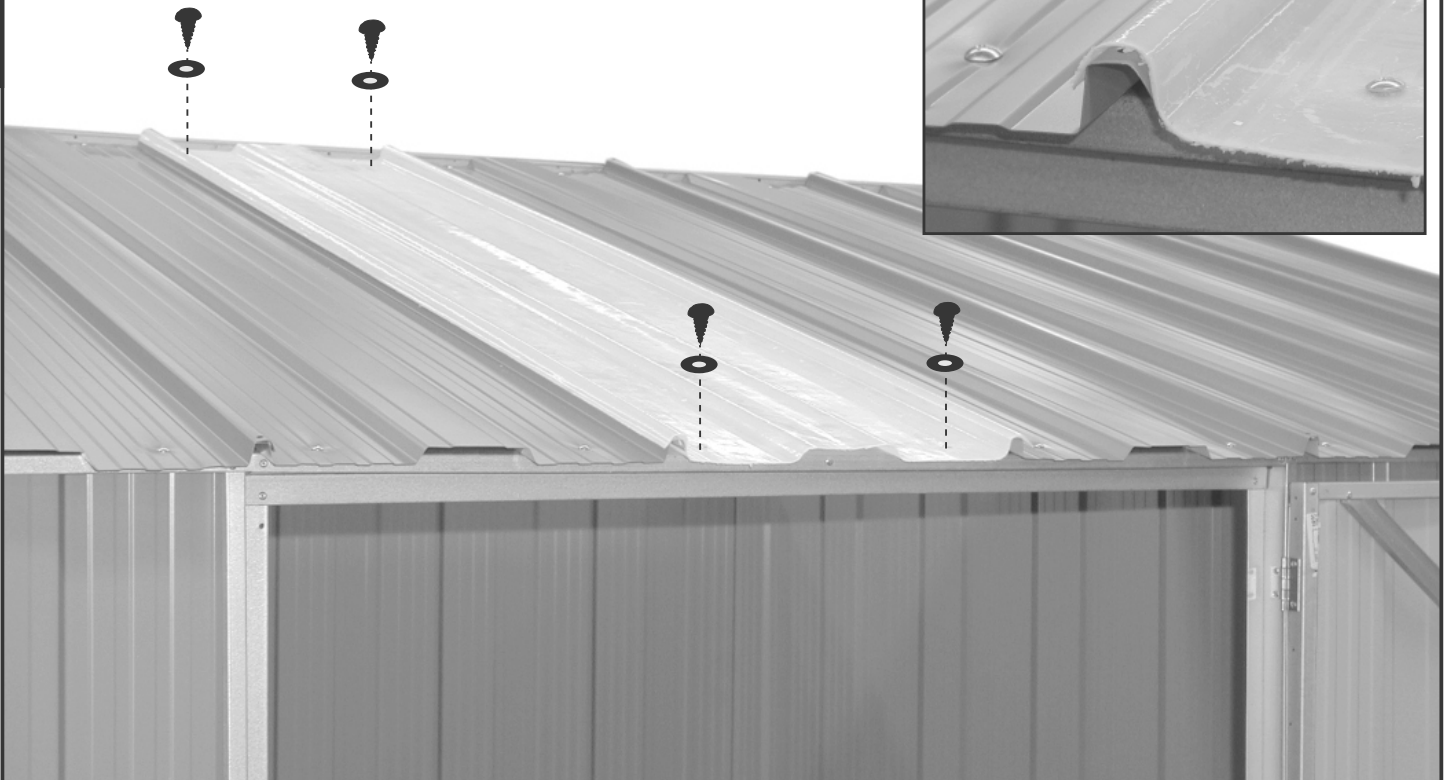
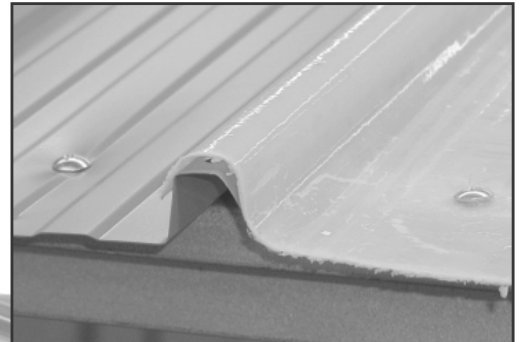
The skylight must be fitted on top of the two adjacent sheets. Fit the steel roof sheets first then fit the skylight as shown below.

1



2

The skylight is fixed using two (2) screws at the top and bottom of the sheet. The inset shows a closeup of the overlap. Pilot holes will need to be drilled





Simple, Strong,
Quick & Easy

15 Years Warranty

Thank you for purchasing FASTTRAK® system steel storage shed.

Your personal warranty is backed by Spanbilt®, the manufacturer of FASTTRAK® system storage sheds, and our proven commitment to quality and customer service. Our goods come with guarantees that cannot be excluded under Australian consumer law. You are entitled to a replacement or refund of a major failure and compensation for any reasonably foreseeable loss or damage. You are also entitled to have the goods repaired or replaced if the goods fail to be of acceptable quality and the failure does not amount to a major failure. Cost of claiming the warranty will be borne by the claimant. This warranty is in addition to other rights and remedies of the customer under law.

Eligibility

- The 15 year warranty is eligible only to the original purchaser/owner of the shed as registered within 60 days from the date of purchase and is not transferrable.
- The warranty is valid for both Australia & New Zealand
- The warranty is subject to location and local environmental conditions outlined in the warranty exclusions below.

What is covered under the warranty?

FASTTRAK® steel storage shed 15 year warranty is limited to the following specific cover.

1. Zinc and/or galvanised panel materials will not rust
2. Coloured panel materials will not rust, flake, peel or blister.

Please note the 15 year warranty does not apply to any accessory items such as fasteners, Hasp, Pad bolts, also including flooring kits, shelving, hook sets, tool racks etc.

Warranty Qualifications & Limitations

The FASTTRAK® 15 year warranty is subject to the following qualifications and limitations

1. Warranty does not apply to surface deterioration of the panels caused specifically by
 - a) "Swarf" (tiny particles of steel debris left from cutting, grinding or drilling operations) that have not been dutifully removed during the assembly construction process.
 - b) As a result of contact with damp soil, chemicals, fertilisers, or other corrosive substances
2. Warranty does not cover damage caused by storms, wind, rain, hail, snow or any other adverse environmental event or "act of god"
3. Warranty only applies if the shed is used solely for domestic purposes and installation is in accordance and compliance with the FASTTRAK® instruction manual and manufacturer recommendations.
4. Warranty does not apply if the shed is installed / located in
 - a) Ocean/surf locations (typically defined as within 1km from coastal or tidal locations),
 - b) Severe industrial locations
 - c) Unusually corrosive environments (e.g. Geothermal / Sulphuric conditions)
5. Warranty does not cover any damage as a result of
 - a) Any impact
 - b) Due to poor foundations
 - c) Modifications
 - d) Build-up of debris on or in roof or walls
 - e) Poor assembly and/or construction Build-up of debris on or in roof or walls
6. The warranty will be void if the shed has been relocated from its original location / address.
7. The warranty is limited to the replacement and delivery of panels and specifically excludes any labour, installation or removal/disposal costs.
8. Warranty applies to the exclusions of all other representations, guarantees or warranties, either expressed or implied unless otherwise required by applicable legislation.
9. Your warranty registration certificate and supporting documentation must be completed and lodged within 60 days of the date of purchase.

Warranty Claims

All warranty claims should be made in writing sent directly to:

Australia

Spanbilt
PO Box 1581,
Browns Plains, Queensland, 4118

New Zealand

Spanbilt
PO Box 11-013,
Sockburn, Christchurch 8443

Claims must include:

- a) Original proof of purchase documentation
- b) Relevant contact information
- c) Product model
- d) Photographic evidence
- e) Description of the damage



**Simple, Strong,
Quick & Easy.**

Warranty Registration Certificate

Owners Details

Owners Name:

Street Address:

City:

Postcode:

Email:

Building Details

Product Model Number:

Colour:

Place of Purchase:

Purchase Date:

Please attach here a photocopy of proof of purchase

Retain the original for your records

You must submit your warranty registration certificate within 60 days of the purchase date of your FASTTRAK® garden shed.

Post your certificate and supporting documentation to:

Australia

Spanbilt

PO Box 1581, Browns Plains

Queensland, 4118

New Zealand

Spanbilt

PO Box-11013,

Sockburn, Christchurch 8443

FASTTRAK

**Simple, Strong,
Quick & Easy.**

**PO Box 1581
Browns Plains, QLD 4118**

**Enquiries
07 3827 8000
Fax
1800 222 166**

**Building Advice Line
1800 032 077
www.spanbilt.com.au**

**112 Waterloo Road
PO Box 11 -013
Sockburn, Christchurch**

**TELEPHONE
03 349 3480
Fax
0800 772 6245
www.spanbilt.co.nz**

Another Quality Product From

